

8. FCC IDs for both right and left earbuds are listed in the Instructions for Use (IFU) as the format below because the device dimension is too small



Left Hearing Aid      FCC ID: 2AKMG-NU320L

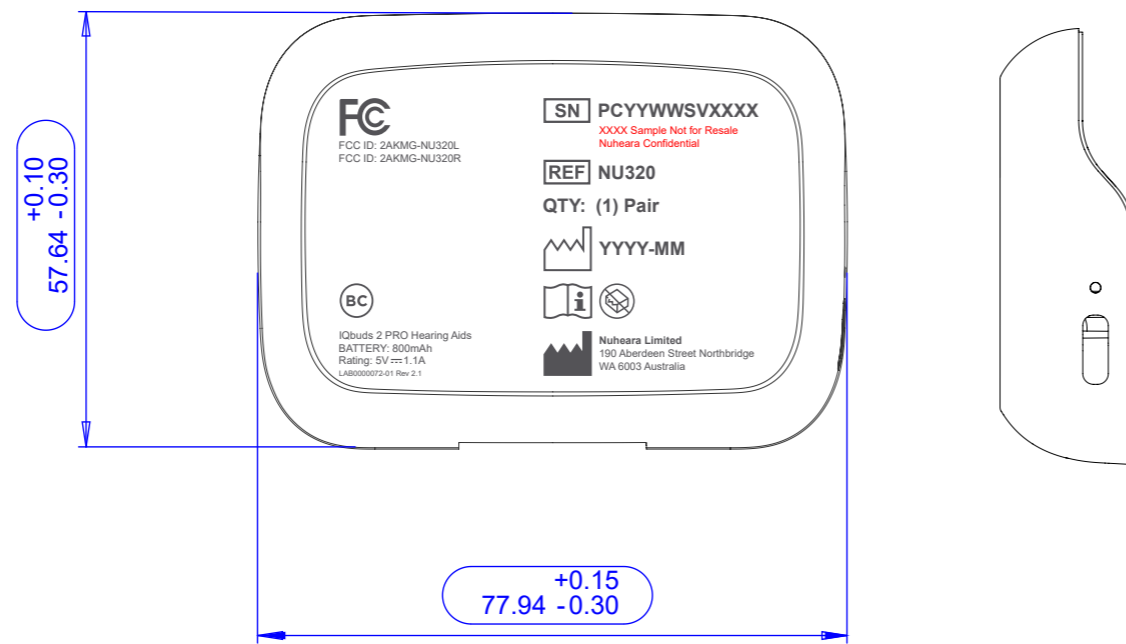
Right Hearing Aid      FCC ID:2AKMG-NU320R

**BASE CASE**

Material = Plastic  
 Plastic Colour = PMS Black C  
 Surface = Paint (1 coat, 14-18um)  
 Paint Color = Slate Black  
 Paint Manufacturer= Musashi  
 Paint #= EC-NP79-M21-5013

**ARTWORK**

Process= LASER  
 Finish = MATTE  
 \*Laser must only etch the paint



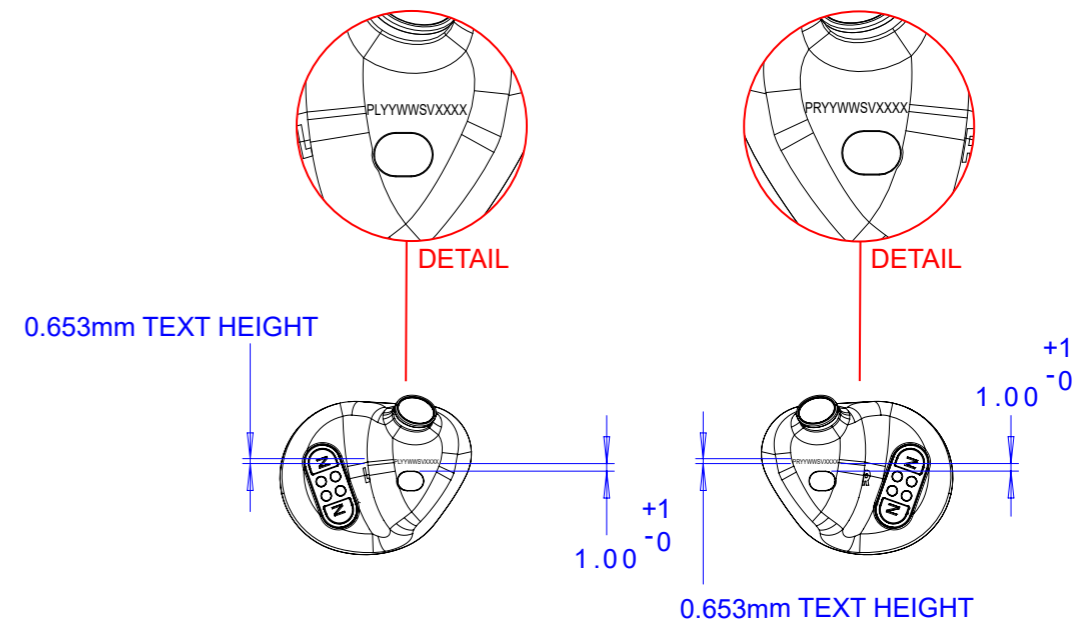
ILLUSTRATIVE ONLY  
 ETCHED ITEM SHOWN AT  
 1:1 SCALE

The serial Number is to be changed per unit in production : e.g. PCYYWWSVZZZZ becomes PC2201S00010

Fonts Required : Arial

**NOTES:**

- 1/. STOCK TO BE PRINTED - REFER TO LATEST REVISION OF DESIGN: HSG0000086
- 2/. LASER ETCH: MUST APPEAR EQUAL IN CONTRAST FOR ALL TEXT AND LOGO's
- 3/. FINISHED ARTICLE TO BE SUPPLIED WITH REMOVABLE PROTECTIVE FILM COVERING ALL SURFACES
- 4/. LASER INTENSITY: 40A
- 5/. PULSES:25 KHz
- 6/. FEED RATE: 400mm/s
- 7/. XXXX=DVT1,2 or PVT , but these two lines are to be removed for MP Builds.



ILLUSTRATIVE ONLY  
 ETCHED ITEM SHOWN AT  
 1:1 SCALE

**BUD BOTTOM CASE**  
 Material = Plastic  
 Plastic Colour = PMS Black C  
 Paint name: Haiurex -P NR Matt Clear  
 Base Coat  
 Paint code: Musashi # P79-M19-9035

Soft Touch Top Coat  
 Paint name: Neo Rabasan Matt Clear  
 Paint code: Musashi # N781-1472WTX  
 Gloss: GU 0.9  
 Thickness: 20 - 25µm

**ARTWORK**

Process= LASER  
 Finish = MATTE  
 \*Laser must only etch the paint

| REVISION | CHANGE DESCRIPTION                                                                               | DATE       |
|----------|--------------------------------------------------------------------------------------------------|------------|
| 2.1      | FCC LOGO CHANGED, FCC ID TEXT ADDED, BC LOGO MOVED, MESSAGE ON INSTRUCTIONS FOR USE ADDED        | 09.11.2021 |
| 2.0      | FCC ID's FINALISED FOR DVT2, QTY CHANGED FROM EACH TO PAIR, NOTE ADDED, SOME FONT SIZE INCREASED | 06.10.2021 |
| 1.1      | CHARGE CASE GRAPHICS CHANGED, DVT RELEASE                                                        | 12.08.2021 |
| 1.0      | CHARGE CASE GRAPHICS CHANGED, DVT RELEASE                                                        | 11.08.2021 |
| 0.3      | BUD LASER ETCH FONT HEIGHT INCREASED, POSITION TOLERANCE INCREASED                               | 10.08.2021 |
| 0.2      | DVT RELEASE                                                                                      | 09.08.2021 |
| 0.1      | EVT RELEASE                                                                                      | 05.08.2021 |

| GENERAL TOLERANCES<br>Unless Notified Otherwise |           |
|-------------------------------------------------|-----------|
| Basic                                           | Tolerance |
| (0) - 10                                        | ±0.05     |
| (10) - 25                                       | ±0.07     |
| (25) - 70                                       | ±0.10     |
| > 70                                            | ±0.15     |

|                                                                                                                                                                                                                                                                |                                                      |                                |             |  |
|----------------------------------------------------------------------------------------------------------------------------------------------------------------------------------------------------------------------------------------------------------------|------------------------------------------------------|--------------------------------|-------------|--|
| Company Confidential                                                                                                                                                                                                                                           | DESIGN STATUS:                                       | <b>APPROVED FOR PRODUCTION</b> |             |  |
| <br>190 Aberdeen St. Northbridge, Western Australia 6003<br>www.nuheara.com                                                                                                                                                                                    | NUHEARA ARTWORK No:                                  | DRAWING No:                    | Revision:   |  |
|                                                                                                                                                                                                                                                                | LAB0000072-01                                        | LAB0000072-01                  | 2.1         |  |
|                                                                                                                                                                                                                                                                | Description:<br><b>NU320 (iQbuds2 PRO) LASER ART</b> |                                |             |  |
| <br>Dimensions in mm UNO<br>DO NOT SCALE                                                                                                                                                                                                                       | Designed by:                                         | Approved by:                   | Sheet:      |  |
|                                                                                                                                                                                                                                                                | AB                                                   | MH                             | 1 OF 1      |  |
|                                                                                                                                                                                                                                                                | Checked by:                                          | Date:                          | Sheet Size: |  |
|                                                                                                                                                                                                                                                                | MH                                                   | 09.11.2021                     | A3          |  |
| This drawing and any information or descriptive material set out on it are the confidential and copyright property of Nuheara. © and MUST NOT BE DISCLOSED, COPIED, LOANED in whole or part or used for any purpose without the written permission of Nuheara. |                                                      |                                |             |  |