	Hardware Requirement Specification (HRS)		
<i>Orion Energy Management</i>	<i>Doc.No: 61 8003 011</i>	Valid from	Revision P5
Approved by:		Date:	


Orion Energy Management
61 8003 011
HARDWARE REQUIREMENT
SPECIFICATION

HRS


	Hardware Requirement Specification (HRS)		
Orion Energy Management	<i>Doc.No: 61 8003 011</i>	Valid from	Revision P7

TABLE OF CONTENTS

TABLE OF CONTENTS.....	2
1 DOCUMENT HISTORY	4
2 INTRODUCTION	5
2.1 PROJECT NAME.....	5
2.2 PROJECT NUMBER.....	5
3 REFERENCES	5
4 DEFINITIONS.....	5
5 GENERAL REQUIREMENTS	5
5.1 USER INTERFACE	5
5.1.1 Introduction	5
5.1.2 Housing.....	6
5.1.3 Display.....	7
5.1.4 User Controls	7
5.1.5 Electrical interface levels.....	8
5.1.6 Module Communications Interface	8
5.1.7 Service Interface.....	8
5.1.8 Power supply	9
5.1.9 Temperature sensor	9
5.1.10 Firmware	10
5.2 THERMOSTAT CONTROLLER.....	10
5.2.1 Introduction	10
5.2.2 Housing.....	11
5.2.3 Electrical interfaces.....	11
5.2.4 I/O Connector.....	11
5.2.5 Module Communications Interface	12
5.2.6 Power supply	14
5.2.7 Firmware	14
5.2.8 Parameters - CT The following parameters in NV memory is to control the TC. These values are to be filled in by AAH and used by Computime.	14
5.2.9 Parameters - AAH	16
5.2.10 Audit Trail	16
5.2.11 HVAC Control Chart – Standard Control.....	16
5.2.12 Real Time Clock (RTC)	17
5.2.13 Counters	17
5.3 MOTION DETECTOR.....	18
5.3.1 Introduction	18
5.3.2 Housing.....	19
5.3.3 PIR Detector.....	19
5.4 RF DEVICE.....	21
5.4.1 RF Device for User Interface (Phase 2).....	21
5.4.2 RF Device for Motion Detector.....	21
5.4.3 RF Device for Thermostat Controller	21

	Hardware Requirement Specification (HRS)		
Orion Energy Management	<i>Doc.No: 61 8003 011</i>	Valid from	Revision P7

5.5	THERMOSTAT CONTROLLER EXPANDER	21
5.5.1	Introduction	21
5.5.2	Housing.....	21
5.5.3	Connectors and interfaces	21
5.5.4	Housing.....	22
6	FIRMWARE REQUIREMENTS	22
6.1	DESIGN.....	22
6.1.1	Firmware	22
7	ELECTRICAL REQUIREMENTS.....	22
8	MECHANICAL REQUIREMENTS	22
8.1	AESTHETIC DESIGN	22
8.2	FUNCTIONAL DESIGN	23
9	SOFTWARE REQUIREMENTS	23
10	ENVIRONMENTAL REQUIREMENTS.....	23
10.1	TEMPERATURES	23
10.1.1	Storage temperature	23
10.1.2	Operating temperature	23
10.2	HUMIDITY	23
10.2.1	Storage humidity.....	23
10.2.2	Operating humidity.....	23
10.3	PROTECTION	23
10.3.1	User Interface.....	24
10.3.2	Motion Detector.....	24
10.3.3	Thermostat Controller.....	24
10.4	LIFE CYCLE REQUIREMENT	24
10.4.1	User Interface.....	24
10.4.2	Motion Detector.....	24
10.4.3	Thermostat controller	24
10.5	WARRANTIES	24
11	SAFETY REQUIREMENTS	24
11.1	FCC	25
11.2	CE.....	25
12	STANDARDS.....	25
12.1	WEEE.....	25
12.2	ROHS	25
13	DOCUMENTATION	25
13.1	TECHNICAL DESCRIPTION.....	25
13.1.1	Mechanical design.....	25
13.1.2	Documentation	25
13.1.3	Firmware design.....	25

	Hardware Requirement Specification (HRS)		
Orion Energy Management	<i>Doc.No: 61 8003 011</i>	Valid from	Revision P7

1 DOCUMENT HISTORY

Revision	Date	Description	Author
P1	2009-01-26	<i>Created</i>	<i>Jan Elfström</i>
P2	2009-02-12	<i>Computime review</i>	<i>Jan Elfström</i>
P3	2009-03-05	<i>Adjustments, Counters added</i>	<i>Jan Elfström</i>
P4	2009-03-13	<i>Design Review</i>	<i>Jan Elfström</i>
P5	2009-04-28	<i>Adjustments, Parameters</i>	<i>Jan Elfström</i>
P6	2009-11-20	<i>Adjustments, parameters</i>	<i>Gordon Qian</i>
P7	2010-07-28	<i>Adjustments, parameters</i>	<i>Gordon Qian</i>

	Hardware Requirement Specification (HRS)		
Orion Energy Management	<i>Doc.No: 61 8003 011</i>	Valid from	Revision P7

2 INTRODUCTION

The purpose of this document is to describe the product requirements in the Orion Energy Management project.

2.1 Project Name

Orion Energy Management

2.2 Project Number

8003

3 REFERENCES

The following documents are referenced in this document:
61 8003 001 – Orion Project Requirement Specification
61 1100 032-18 - D-032 KOMMUNIKATIONSPROTOKOLL English
Orion Requirement Spec
Aesthetic Design – Bressler Group

4 DEFINITIONS

The following abbreviations are used in this document:

PRS	Product Requirement Specification (This document)
MK	Market Requirement Specification
TBD	To Be Decided
NA	Not Applicable
AAH	ASSA ABLOY Hospitality
MCU	Micro Controller Unit
BDM	Background Debug Module

5 GENERAL REQUIREMENTS

The assumption made for the rest of this document is that a third party will supply the actual hardware and partly FW used for this project. The exception is the use of the RF device described later where the device supplied by ASSA ABLOY Hospitality shall be used.

It is also assumed the reader is familiar with the document “[Orion Project Requirement Specification](#)” and “[Orion Requirement Spec](#)”.

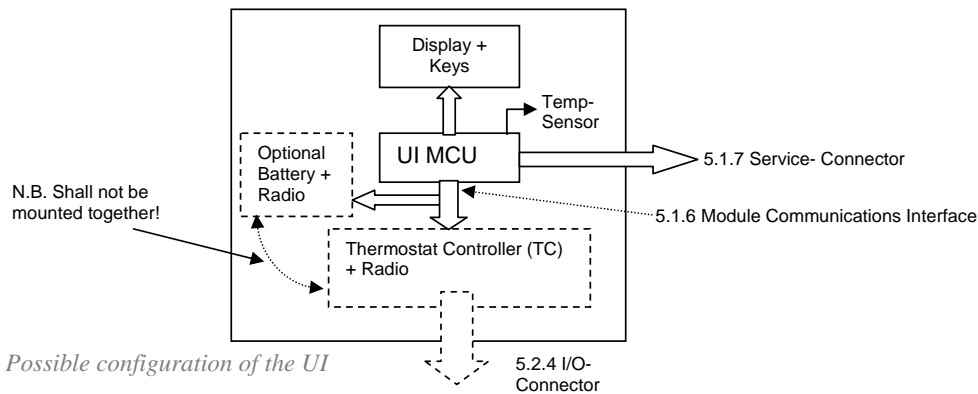
MCU:s shall be of the Freescale HCS08 family (other types/brands can be used after approval).

5.1 User Interface

5.1.1 Introduction

The User Interface (UI) is the device where a local (in-room) user can check status of the energy management system (e.g. set temperature, fan-speed) and control certain functions (e.g. alter set temperature).

	Hardware Requirement Specification (HRS)		
Orion Energy Management	<i>Doc.No: 61 8003 011</i>	Valid from	Revision P7



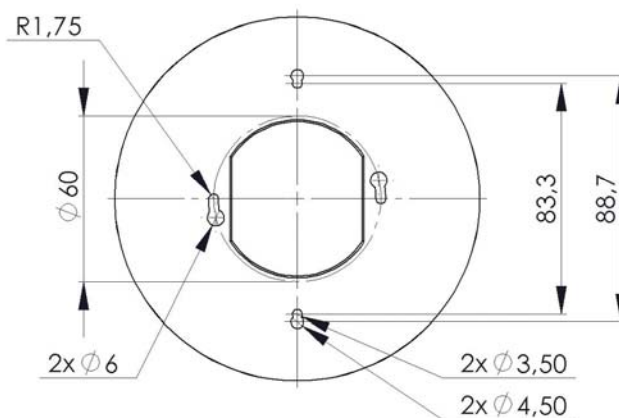
5.1.2 Housing

5.1.2.1 *The mechanical design shall be based on the information received from Bressler.*


(Comptime to give best estimate of box size after receiving 3D-model)

5.1.2.2 *The mounting holes shall be such that they fit the following screw-patterns:*

- Single gang junction box
- European single gang box



Example of hole pattern

	Hardware Requirement Specification (HRS)		
Orion Energy Management	<i>Doc.No: 61 8003 011</i>	Valid from	Revision P7

5.1.2.3 *The mounting holes shall be of the key-hole type or similar to allow easy mount/dismount and positioning of the UI*

5.1.2.4 *The UI shall be designed to allow mounting of the TC or a battery pack (3xAA) with a RF-device*

5.1.2.5 *The battery pack shall be easily accessed*

5.1.2.6 *The battery pack can be the standard AAH 3xAA cassette with cable (Art No 4816065 + 4809763)*

5.1.3 **Display**

5.1.3.1 *The display shall have a visible size as defined by the industrial design from Bressler Group. (Computime to advice on the actual dimension)*

5.1.3.2 *The display graphics and symbols shall be designed according to the information received from Bressler.*

5.1.3.3 *The following symbols shall be possible to control:*

- Fan-speed indicator (Three steps)
- Service Indicator (Wrench)
- Error Indicator (E)
- Farenheit/Celsius Indicator
- Locked Indicator (pad-lock symbol)
- Cooling/Heating Indicator (Snow-star/flame)
- Temperature read-out (two digits, seven segments)
- Battery indicator (Battery low only)
- Auto Indicator (AUTO) (This indicator can be an alpha numeric field)

5.1.3.4 *The display technology shall be of the transfective LCD type.*

5.1.3.5 *Viewing angle: 55° @12:00 clock direction*

5.1.3.6 *Backlighter shall be LED*

5.1.3.7 *Backlighter shall be possible to control (on/off)*

5.1.3.8 *Backlighter colour is to be white*

5.1.4 **User Controls**

5.1.4.1 *The following user controls shall be used*

- On/Off button (Controls only EMS functions, not system power)
- Fan Control button (Switch steps through settings)

	Hardware Requirement Specification (HRS)		
Orion Energy Management	<i>Doc.No: 61 8003 011</i>	Valid from	Revision P7

- “Up” button
- “Down” button
- Celsius/Fahrenheit button (Toggle function)

5.1.5 Electrical interface levels

5.1.5.1 *The UI I/O shall tolerate voltages in the range 3 – 5VDC*

5.1.5.2 *The UI output voltage-levels shall be in the range 0 - 5VDC*

5.1.5.3 *Logical high level shall be minimum 3.0V*

5.1.5.4 *Logical low level shall be maximum 0.5V*

5.1.6 Module Communications Interface

5.1.6.1 *The communication to/from the UI shall be with **asynchronous full duplex communication (38400 8N1)***

5.1.6.2 *The communication protocol shall be based on the specification D-032*

5.1.6.3 *The electrical interface between the UI and other modules shall be over a 6-pin JST PHR-6, tin plated or equivalent connector*

5.1.6.4 *The wire harness for the PHR-6 connector shall be **50 mm** long*

5.1.6.5 *The following pin-out shall be used:*

- 1- VCC
- 2- GND
- 3- Activate (UI)
- 4- Wakeup (Module)
- 5- RxD (From UI)
- 6- TxD (To UI)

5.1.7 Service Interface

5.1.7.1 *The UI shall have a service connector of the type 3.5mm stereo-jack*

5.1.7.2 *The Service connector shall be protected against ESD (**8KV for air discharge**)*

5.1.7.3 *The following signals shall be used*

- 1- **Power input 3.5 – 10VDC (tip)**
- 2- Serial communication (middle)
- 3- GND (inner)

	Hardware Requirement Specification (HRS)		
Orion Energy Management	<i>Doc.No: 61 8003 011</i>	Valid from	Revision P7

5.1.7.4 *The serial communication to/from the service interface shall be with asynchronous half duplex communication (38400 8N1)*

5.1.7.5 *The serial communication shall be initiated with an “ACK” (0x06) from the UI when external power is detected at the service connector*

5.1.7.6 *The initiation shall be complete in the interval 50 - 200ms after external power is detected*

5.1.7.7 *The service device shall answer with “ACK” in the interval 0 - 200ms after the “ACK” is transmitted*

5.1.7.8 *The UI shall accept a command-set implemented by AAH*

5.1.7.9 *The UI shall handle communication through the service connector to the thermostat or RF module over the module communications interface*

5.1.7.10 *The service-connector shall be placed at the bottom of the UI (Not visible from front)*

5.1.7.11 *The service-connector shall be placed such that it is easily accessible*

5.1.7.12 *The service-connector shall tolerate voltages in the range 3 – 10VDC*

5.1.7.13 *Logical high level shall be minimum 3.0V*

5.1.7.14 *Logical low level shall be maximum 0.5V*

5.1.8 **Power supply**

5.1.8.1 *The UI shall be possible to run off three AA 1.5V alkaline cells (3.2 – 4.5V)*

5.1.8.2 *The UI shall be possible to run on an external fixed +3.2 - +5V supply (Supplied through the Module Communications Interface) from the TC*

5.1.8.3 *The UI shall have a maximum average current consumption of 4mA @4.5V (not including other modules)*

5.1.8.4 *The UI shall have a maximum current consumption of 150mA @+4.5V (not including other modules)*

5.1.8.5 *The supplied voltage shall be possible to read with a minimum resolution of 0.1V*

5.1.9 **Temperature sensor**

Author(s): Jan Elfstrom

Page 9/25

CONFIDENTIAL

©TIMELOX AB

	Hardware Requirement Specification (HRS)		
Orion Energy Management	<i>Doc.No: 61 8003 011</i>	Valid from	Revision P7

5.1.9.1 *The UI shall have the means of measuring temperature*

5.1.9.2 *The temperature value shall have a tolerance of +/-0.5°C including drift*

5.1.9.3 *The temperature sensor shall have a calibrated value of +/-1°C @22°C*

5.1.10 **Firmware**

5.1.10.1 *The UI firmware (FW) shall be possible to upgrade through the service connector using the AAH standard bootloader protocol*

5.1.10.2 *A callback function called when a key-press or other event occur shall be implemented for AAH use.*

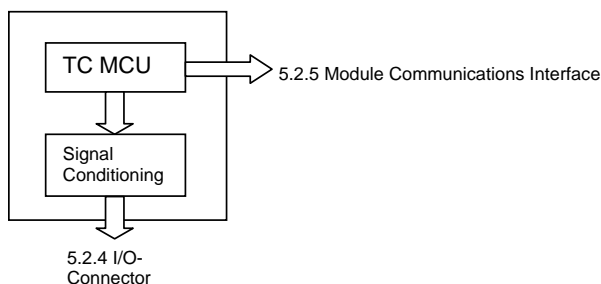
5.1.10.3 *A control structure shall be developed for accessing and controlling resources in the UI (e.g. displayed symbols, temperature display etc)*

5.1.10.4 *A data structure with information of pressed keys, temperature reading etc shall be developed*

5.2 **Thermostat Controller**

5.2.1 **Introduction**

The Thermostat Controller (TC) is the device where the actual logic for energy management is implemented. It is also the device controlling the other in-room devices connected to the EMS system and can be connected to a central control system.



Possible configuration of the TC

	Hardware Requirement Specification (HRS)		
Orion Energy Management	<i>Doc.No: 61 8003 011</i>	Valid from	Revision P7

5.2.2 Housing

5.2.2.1 *The TC shall be designed to fit the housing of the UI and the Thermostat Controller Expander device*

5.2.3 Electrical interfaces

5.2.3.1 *The electrical interface between the TC and other modules shall be over a 6-pin, tin plated connector suitable for a JST PHR-6 connector plug*

5.2.3.2 *The TC module I/O shall tolerate voltages in the range 3 – 5VDC*

5.2.3.3 *The TC module I/O output voltage-levels shall be in the range 0 - 5VDC*

5.2.3.4 *Logical high level shall be minimum 3.0V*

5.2.3.5 *Logical low level shall be maximum 0.3V*

5.2.3.6 *A connector for the MCU BDM shall be included in the design*

5.2.4 I/O Connector

5.2.4.1 *The TC shall have a I/O connector for controlling external systems, e.g. air-handlers*

5.2.4.2 *The TC module I/O shall tolerate voltages up to 30VDC*

5.2.4.3 *Logical high level shall be minimum 5.0V*

5.2.4.4 *Logical low level shall be maximum 0.5V*

5.2.4.5 *The I/O connector shall be of the type Molex KK 2695 2.54mm or equivalent*

5.2.4.6 *The I/O connector shall have the following pin-out:*

- 1- W/W2 – Heating (Output)
- 2- Y/W1 – Cooling / Compressor (Output)
- 3- G1 – Fan 1 (Output)
- 4- G2 – Fan 2 (Output)
- 5- G3 – Fan 3 (Output)
- 6- RV – Reversing valve (Output)
- 7- Emergency Heating - Outputs
- 8- Door Switch – Interior (Input)
- 9- Door Switch – Exterior (Input)
- 10- Extra Input1 (Input)
- 11- Ground

	Hardware Requirement Specification (HRS)		
Orion Energy Management	<i>Doc.No: 61 8003 011</i>	Valid from	Revision P7

- 12- Power out for External Switch
- 13- Power Supply Common for Thermostat
- 14- Power Supply for thermostat

5.2.4.7 *The I/O connector shall control outputs through potential free switches (e.g. relay)*

5.2.4.8 *The I/O connector shall have the same potential for all I/O*

5.2.4.9 *The TC shall be delivered with a wire-harness fitting the I/O connector with a wire length of 150mm +/-10mm. (Colors as defined below)*

- 1- W/W2 – White)
- 2- Y/W1 – Yellow
- 3- G1 – Green
- 4- G2 – Orange
- 5- G3 – Dark Blue
- 6- RV – Violet
- 7- Emergency Heating - Brown
- 8- Door Switch –Interior – **Gray** (not hard requirement)
- 9- Door Switch – Exterior – **Orange/Blue** (not hard requirement)
- 10- Extra Input1 (Intput) – Pink (not hard requirement)
- 11- ground –**Black**
- 12- Power out for External Switch – **White/Black**
- 13- Power Supply Common for Thermostat – **Light Blue**
- 14- Power Supply for thermostat – **Red**

5.2.4.10 *The I/O Connector shall be secured with a friction lock or similar*

5.2.4.11 *Wires with an area of AWG 22 shall be used*

5.2.4.12 *A visible label shall be included indicating signals in I/O connector*


5.2.5 Module Communications Interface

5.2.5.1 *The communication to/from the TC shall be with **asynchronous full duplex communication (38400 8N1)***

5.2.5.2 *The TC shall accept a command-set implemented by AAH*


5.2.5.3 *The following pin-out shall be used:*

- 1- VCC (Power out to UI)
- 2- GND
- 3- Activate (UI)
- 4- Wakeup (TC)
- 5- Rx/D (To TC)

	Hardware Requirement Specification (HRS)		
<i>Orion Energy Management</i>	<i>Doc.No: 61 8003 011</i>	Valid from	Revision P7

6- TxD (From TC)

5.2.5.4 *The TC firmware (FW) shall be possible to upgrade*

	Hardware Requirement Specification (HRS)		
Orion Energy Management	<i>Doc.No: 61 8003 011</i>	Valid from	Revision P7

5.2.5.5 *There shall be a minimum of 32kByte Flash and 500 byte RAM available for AAH use*

5.2.6 **Power supply**

5.2.6.1 *The TC shall be possible to run on a fixed 12 – 30VAC/DC supply*

5.2.6.2 *The TC shall have a maximum current consumption of 150mA @24VDC TBD (not including other modules)*

5.2.6.3 *The power supply inputs shall be protected against reversed polarity*

5.2.6.4 *The power supply inputs shall have protection against short circuit (non-permanent, no change of components)*

5.2.7 **Firmware**

5.2.7.1 *The TC firmware (FW) shall be possible to upgrade through the 6-pin Module Communications Connector using the AAH standard bootloader protocol*

5.2.7.2 *Test-mode*
When the TC is put in test-mode by the service-tool, all outputs shall be disabled. All output and input-states shall be possible to observe on the test-tool.

5.2.7.3 *A callback function called 1/s shall be implemented for AAH use.*

5.2.7.4 *A control structure shall be developed for accessing and controlling resources in the TC, including external inputs.*

5.2.7.5 *The responsibility for the actual implementation of different functionality is AAH*

5.2.8 **Parameters - CT**

The following parameters in NV memory is to control the TC. These values are to be filled in by AAH and used by Computime.

5.2.8.1 *ActualTemperature – The reported temperature (external sensor or UI sensor)*

5.2.8.2 *ManualOverrideBitField – Controls for service purposes*


- Fan-on (bit7) – Turn on the fan
- Fan-speed (bit6-5) – Fan speed, 0 - 2
- Heat (bit4) – Turn on heating
- Cool (bit3) – Turn on cooling
- RFU (bit2-0)

Author(s): Jan Elfstrom

Page 14/25

CONFIDENTIAL

©TIMELOX AB

	Hardware Requirement Specification (HRS)		
Orion Energy Management	<i>Doc.No: 61 8003 011</i>	Valid from	Revision P7

5.2.8.3 *ControlBitfield1 – Controls for TC operation*

- FanMan (bit7) – Manual Speed (1), Auto (0)
- FanSat (bit6) – Run when satisfied (1), Stop when satisfied (0)
- SetbackEnable (bit5) – Use setback set-point
- Thermostat enable (bit4) – 1: Turn on thermostat
- MaxFan (bit3-2) – Max allowed fan-speed (if less than three steps)
- Fan-speed (bit1-0) – Fan speed 0-2, valid if FanMan = 1

5.2.8.4 *ControlBitfield2 – Controls for TC Service*

- ServiceEnable (bit7) (Disables all outputs for manual control)
- BacklighterEnable (bit6) (For test of LED)
- REL6Enable (bit5)
- REL5Enable (bit4)
- REL4Enable (bit3)
- REL3Enable (bit2)
- REL2Enable (bit1)
- REL1Enable (bit0)

5.2.8.5 *ActualSetpoint – The TC setpoint 0-99°F*

5.2.8.6 *ActualDeadbands*

- Heat/Cool switching (bit7,6,5,4) 2-4°F
- Thermostat deadband (bit3,2,1,0) 1-3°F

	Hardware Requirement Specification (HRS)		
Orion Energy Management	<i>Doc.No: 61 8003 011</i>	Valid from	Revision P7

5.2.8.7 *ActualSetbackUpper - Setpoint in setback cooling 0-99°F*

5.2.8.8 *ActualSetbackLower - Setpoint in setback heating 0-99°F*

5.2.9 Parameters - AAH

5.2.9.1 AAH Parameters – 84 bytes of NV memory storage shall be reserved for AAH use

5.2.9.2 AAH RFU Parameters - 20bytes

5.2.10 Audit Trail

5.2.10.1 An audit trail of 100 entries shall be included

5.2.10.2 The audit trail shall be designed in a round-robin fashion such that the oldest event gets overwritten first


5.2.10.3 The audit trail shall be stored in a non volatile memory, e.g. external E2PROM

5.2.10.4 Each event shall be ten bytes long

5.2.10.5 Alarms e.g. battery-level shall set a flag that can be reset by EMS-system or service terminal

5.2.11 HVAC Control Chart – Standard Control

Temperature difference from Guest Setting	Active Outputs
+4	Y, G3 (Cooling)
+3	Y, G2 (Cooling)
+2	Y, G1 (Cooling)
+1	None
0	None
-1	None
-2	W, G1 (Heating)
-3	W, G2 (Heating)
-4	W, G3 (Heating)

	Hardware Requirement Specification (HRS)		
Orion Energy Management	<i>Doc.No: 61 8003 011</i>	Valid from	Revision P7

5.2.12 Real Time Clock (RTC)

5.2.12.1 A RTC shall be designed based on a standard low power 32kHz crystal

5.2.12.2 The RTC function can be an internal MCU timer clocked by the low power crystal

5.2.12.3 Maximum time deviation over a year shall be +/-15 minutes

5.2.12.4 The minimum resolution shall be one minute

5.2.12.5 The real time shall be an incremental number with the length of four bytes

5.2.12.6 The start time for the real-time count (0) shall be 1996-07-20 00:00

5.2.12.7 No support for day-light saving shall exist

5.2.13 Counters

5.2.13.1 Counter for total HVAC run time [32-bit value, minute resolution]

5.2.13.2 Counter for HVAC run time maintaining the guest set-point (starts when guest set-point is first reached from set-back) [32-bit value, minute resolution]

5.2.13.3 Counter for total HVAC run time in unoccupied and unsold set-back including recovery time from setback to set point [32-bit value, minute resolution]

5.2.13.4 Counter for total occupancy time [32-bit value, minute resolution]

5.2.13.5 Three maintenance run time parameters [32-bit value, minute resolution]

- *tImMaintenanceCounter1*
- *tImMaintenanceCounter2*
- *tImMaintenanceCounter3*

	Hardware Requirement Specification (HRS)		
<i>Orion Energy Management</i>	<i>Doc.No: 61 8003 011</i>	Valid from	Revision P7

5.2.13.6 When one of the three maintenance parameter values match the total HVAC run time counter, a notification shall be sent to the server indicating which of the parameters that triggered the event.

5.2.13.7 The three maintenance run time parameters shall be possible to update using the EMS GUI or the commissioning tool

5.2.13.8 The maintenance run time parameters shall be updated with an offset added to the total HVAC run time counter

5.2.13.9 The counters and maintenance parameters shall be stored in non-volatile memory

5.3 Motion Detector

5.3.1 Introduction

The Motion Detector (MD) is used to detect and report movement in the room. It can also be used in suite configurations. It is a battery operated device.

	Hardware Requirement Specification (HRS)		
Orion Energy Management	<i>Doc.No: 61 8003 011</i>	Valid from	Revision P7

5.3.2 Housing

5.3.2.1 The mechanical design shall be based on the industrial design from Bressler Group and modified when suitable lens design found)

5.3.2.2 The mounting holes shall be of the key-hole type or similar to allow easy mount/dismount and positioning of the MD

5.3.2.3 The MD shall be designed to allow mounting of a RF-device

5.3.2.4 The battery pack shall be easily accessed

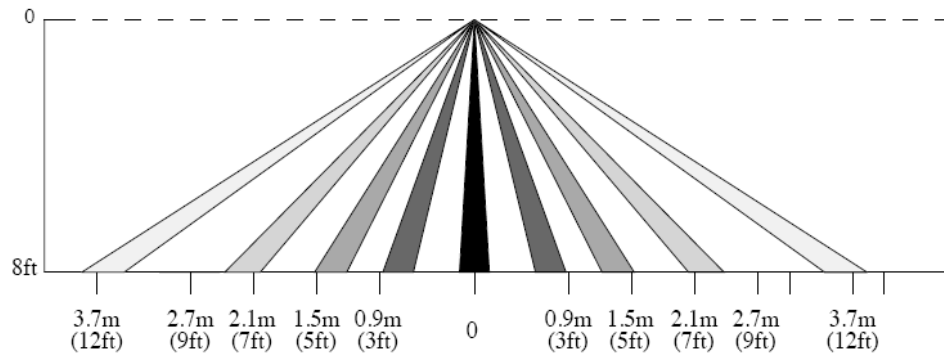
5.3.2.5 The battery pack can be the standard AAH 3xAA cassette with cable (Art No 4816065 + 4809763)

5.3.3 PIR Detector

5.3.3.1 The PIR Detector (PD) shall be powered by three AA alkaline batteries

5.3.3.2 The PIR Detector (PD) Sense range and angle

SIDE VIEW:



	Hardware Requirement Specification (HRS)		
Orion Energy Management	<i>Doc.No: 61 8003 011</i>	Valid from	Revision P7

5.3.3.3 *The PD shall have a maximum current consumption of **15mA @4.5VDC** TBD (not including other modules)*

5.3.3.4 *The PD shall have a maximum average current consumption of **150uA @4.5V when PIR is on and 25uA @4.5V when PIR is OFF** (not including other modules)*

5.3.3.5 *The PD shall have a service connector of the type 3.5mm stereo-jack*

5.3.3.6 *The Service connector shall be protected against ESD (8KVair discharge)*

5.3.3.7 *The following signals shall be used (J2):*

- 1- Power input 3.5 – 10VDC (tip)
- 2- Serial communication (middle)
- 3- GND (inner)

5.3.3.8 *The electrical interface between the PD and other modules shall be over a 6-pin JST PHR-6, tin plated or equivalent connector*

5.3.3.9 *The wire harness for the PHR-6 connector shall be **50 mm** long*

5.3.3.10 *The following pin-out shall be used (J1):*

- 1- VCC (Battery voltage to RF-device)
- 2- GND
- 3- Activate
- 4- Wakeup
- 5- RxD (Serial connection to service connector)
- 6- TxD (Not used)

5.3.3.11 *The following connection shall be used (including ESD protection etc):*

- 1- Power (J1:1 – J2:1)
- 2- GND (J1:2 – J2:3)
- 3- Serial data (J1:5 – J2:2) (N.B. J1:1-2 might need to be externally connected)

	Hardware Requirement Specification (HRS)		
<i>Orion Energy Management</i>	<i>Doc.No: 61 8003 011</i>	Valid from	Revision P7

5.4 RF Device

5.4.1 RF Device for User Interface (Phase 2)

5.4.1.1 *The RF device 68 3081 055 or similar supplied by AAH shall be used*

5.4.1.2 *The RF device firmware can be special for this application*

5.4.2 RF Device for Motion Detector

5.4.2.1 *The RF device 68 3081 055 or similar supplied by AAH shall be used*

5.4.2.2 *The RF device firmware can be special for this application*

5.4.3 RF Device for Thermostat Controller

5.4.3.1 *The RF device 68 3081 055 or similar supplied by AAH shall be used*

5.4.3.2 *The RF device firmware can be special for this application*

5.5 Thermostat Controller Expander

5.5.1 Introduction

The Thermostat Controller Expander (TCE) is accepting the TC as a piggy back device. This allows the use of the TC+TCE as a standalone device with the possibility of e.g. external power and more rugged connections. It will also form a more rugged housing for the TC.

(TCE will be designed for Phase 2 of this project)

5.5.2 Housing

5.5.2.1 *TBD*


5.5.3 Connectors and interfaces

5.5.3.1 *The TCE shall have a service connector of the type 3.5mm stereo-jack*

5.5.3.2 *The Service connector shall be protected against ESD (8KV for air discharge)*

5.5.3.3 *The following signals for the service connector shall be used*

- 1- *Power input 3.5 – 10VDC (tip)*
- 2- *Serial communication (middle)*
- 3- *GND (inner)*

	Hardware Requirement Specification (HRS)		
Orion Energy Management	<i>Doc.No: 61 8003 011</i>	Valid from	Revision P7

5.5.3.4 *The electrical interface between the TCE and the TC shall be over a 6-pin JST PHR-6, tin plated or equivalent connector*

5.5.3.5 *The wire harness for the PHR-6 connector shall be TBD mm long*

5.5.3.6 *The following pin-out for the PHR-6 shall be used:*

- 1- VCC (Power to TCE logic)
- 2- GND
- 3- Activate (TBD)
- 4- Wakeup (TBD)
- 5- RxD (Serial connection to service connector)
- 6- TxD (Not used)
- 7-

5.5.4 **Housing**

5.5.4.1 *TBD*

6 FIRMWARE REQUIREMENTS

6.1 **Design**

6.1.1 **Firmware**

6.1.1.1 *The firmware shall be stored in a non-volatile memory*

6.1.1.2 *The firmware shall be possible to change in field*

6.1.1.3 *A boot-loader shall be used for change of firmware through the service-interface*

6.1.1.4 *The bootloader shall function according to the AAH standard bootloader protocol*

7 ELECTRICAL REQUIREMENTS

NA

8 MECHANICAL REQUIREMENTS

8.1 **Aesthetic design**

The overall aesthetic design shall be according to the Bressler guidelines

	Hardware Requirement Specification (HRS)		
<i>Orion Energy Management</i>	<i>Doc.No: 61 8003 011</i>	Valid from	Revision P7

8.2 Functional design

The functional design is left open to best fit the production requirements and the aesthetic design

9 SOFTWARE REQUIREMENTS

NA

10 ENVIRONMENTAL REQUIREMENTS

10.1 Temperatures

10.1.1 Storage temperature

10.1.1.1 The storage temperature for all devices shall be -20 - +85°C

10.1.2 Operating temperature

10.1.2.1 The operating temperature for all devices shall be 0 - +45°C

10.2 Humidity

10.2.1 Storage humidity

10.2.1.1 The storage humidity for all devices shall be 10-98%RH non-condensing

10.2.2 Operating humidity

10.2.2.1 The operating humidity for all devices shall be 15-95%RH non-condensing

10.3 Protection

A general test shall be made with each device to find which components that is sensitive to condensation. Those areas shall then be protected with conformal coating.

	Hardware Requirement Specification (HRS)		
<i>Orion Energy Management</i>	<i>Doc.No: 61 8003 011</i>	Valid from	Revision P7

10.3.1 User Interface

10.3.1.1 The device shall meet IP20 classification

10.3.2 Motion Detector

10.3.2.1 The device shall meet IP20 classification

10.3.3 Thermostat Controller

10.3.3.1 The device shall be part of the User Interface and is covered by that housing

10.4 Life cycle requirement

10.4.1 User Interface

10.4.1.1 The LED backlighter intensity shall not degrade below 50% of the initial value before 50000 h

10.4.1.2 The switches shall not fail before 20000 cycles

10.4.1.3 The unit except the LED and switches shall have a life cycle of ten years of normal use

10.4.2 Motion Detector

10.4.2.1 The unit shall have a life cycle of ten years of normal use

10.4.3 Thermostat controller

10.4.3.1 The relays shall not fail before 100000 cycles

10.4.3.2 The unit shall have a life cycle of ten years of normal use

10.5 Warranties

11 SAFETY REQUIREMENTS


Normal safety precautions shall be made to prevent fire etc.

Author(s): Jan Elfstrom

Page 24/25

CONFIDENTIAL

©TIMELOX AB

	Hardware Requirement Specification (HRS)		
Orion Energy Management	<i>Doc.No: 61 8003 011</i>	Valid from	Revision P7

11.1 FCC

11.2 CE

12 STANDARDS

12.1 WEEE

12.2 RoHS

13 DOCUMENTATION

13.1 Technical Description

13.1.1 Mechanical design

13.1.1.1 The mechanical design shall be fully documented

13.1.1.2 The IGS/STEP format shall be used for exchanging 3D models

13.1.1.3 The DXF format shall be used for exchanging 2D drawings

13.1.1.4 The native Solid Works format can be used for all documentation

13.1.2 Documentation

13.1.2.1 All final documentation shall be in the Timelox defined form and shape including document numbers

13.1.3 Firmware design

13.1.3.1 All open interfaces shall be fully documented

13.1.3.2 A general functional description shall be delivered

FCC STATEMENT

1. This device complies with Part 15 of the FCC Rules. Operation is subject to the following two conditions:
- (1) This device may not cause harmful interference.
 - (2) This device must accept any interference received, including interference that may cause undesired operation.
2. Changes or modifications not expressly approved by the party responsible for compliance could void the user's authority to operate the equipment.

RF warning statement: The device has been evaluated to meet general RF exposure requirement. The device can be used in portable exposure condition without restriction.

Author(s): Jan Elfstrom

Page 25/25

CONFIDENTIAL

©TIMELOX AB