



Cisco Connected Grid WPAN Module for CGR 1000 Series Installation and Cisco Resilient Mesh Configuration Guide (Cisco IOS)

Cisco Connected Grid WPAN Module for CGR 1000 Series Installation and Cisco Resilient Mesh Configuration Guide (Cisco IOS)	2
Hardware Overview	2
WPAN Antennas, Connectors, and Cables	6
Installing and Removing the Module	7
Technical Specifications	10
Information About Cisco Resilient Mesh and WPAN	11
Configuring Cisco Resilient Mesh and the WPAN Module	26
Checking and Upgrading the WPAN Firmware Version	81
Related Documentation	84
Obtaining Documentation and Submitting a Service Request	84

Cisco Connected Grid WPAN Module for CGR 1000 Series Installation and Cisco Resilient Mesh Configuration Guide (Cisco IOS)

This guide explains how to install the IEEE 802.15.4e/g Cisco Connected Grid Wireless Personal Area Network (WPAN) module and how to configure the Cisco Resilient Mesh (formerly known as CG-Mesh). This guide addresses configuration for a Cisco 1000 Series Connected Grid Router (CGR 1000) installed with Cisco IOS software.



Note For detailed information of the WPAN-OFDM module, see *Connected Grid Module (CGM) WPAN-OFDM Module - Cisco IOS*.



Danger Only trained and qualified personnel should be allowed to install, replace, or service this equipment. Statement 1030



Note The Cisco Connected Grid WPAN Module is installed in either of the CGR 1000 series models: Cisco 1120 Connected Grid Router (CGR 1120) or Cisco 1240 Connected Grid Router (CGR 1240). The WPAN module is installed at the factory. Only technicians of Cisco or Cisco partners may install, uninstall, or configure Connected Grid modules.

For system requirements, important notes, limitations, open and resolved bugs, and last-minute documentation updates, see the Release Notes for CGR 1000 (Cisco IOS) on Cisco.com:

<http://www.cisco.com/c/en/us/support/routers/1000-series-connected-grid-routers/products-release-notes-list.html>.

For translations of the warnings that appear in this document, see the Regulatory Compliance and Safety Information document for your router on Cisco.com:

<http://www.cisco.com/en/US/docs/routers/connectedgrid/cgr1000/rcsi/cgr1000.rsci.html>

When using the online publications, see the documents that match the Cisco system software version running on the WPAN module.

Hardware Overview

The CGM-WPAN-FSK-NA WPAN module provides IPv6-based, IEEE 802.15.4e/g-compliant, and highly secure wireless connectivity for the CGR to enable Field Area Network (FAN) applications.

The module is ideal for standards-based IPv6 multihop mesh networks and long-reach solutions. It helps enable a high ratio of endpoints to the CGR. The module provides the following functionality:

The CGM-WPAN-OFDM module is designed to operate within an RF900 wireless network to provide digital automation (DA) control over Resilient Mesh Endpoints (RMEs) with serial (RS232/RS485), USB (LS/FS), or Fast Ethernet (10/100) ports for intelligent control primarily in the electrical grid. CGR 1000s installed with a CGM-WPAN-OFDM module provide a low cost, low power, small scale DA solution. Ruggedized IP41 enclosures are available for the CGR1000 to support installation within an outdoor cabinet.

- 902-to-928 MHz ISM band frequency hopping technology (configurable frequency range to match your country's regulations). See [Technical Specifications](#), on page 10.

- Dynamic network discovery and self-healing network capabilities that based on IPv6, IEEE 802.15.4 e/g, IETF 6LoWPAN, and IETF RPL.
- Robust security functionality including Advanced Encryption Standard (AES) 128-bit encryption, IEEE 802.1X, and IEEE 802.11i based-mesh security.
- WPAN module firmware upgrade functionality.
- WPAN module interface statistics and status.

The IEEE 802.15.4e/g WPAN module hardware contains the following:

- Microcontroller, an RF transceiver operating in the 902-to-928 MHz ISM band.
- Frequency synthesizer.
- RF Micro Devices RF6559 front-end module.

Cisco Resilient Mesh has no physical user interfaces such as buttons or display, and therefore all configuration and management occur through Constrained Application Protocol (CoAP) Simple Management Protocol (CSMP) from Cisco IoT Field Network Director (IoT FND). The application module can implement its own user interface and display information obtained using CSMP.

Cisco Resilient Mesh uses the communication module hardware in a way that is compliant with the IEEE 802.15.4e/g MAC/PHY specification. Cisco Resilient Mesh uses the following PHY parameters:

- Operating Band: 902 to 928 MHz
- Channel Spacing: 400 kHz
- Modulation Method: Binary FSK
- 150k baud data rate, 75-bit rate due to FEC
- Maximum output Power: 28 dBm. See [Configuring Transmit Power, on page 28](#).



Note Up to two WPAN modules can be installed in any of the slots of the CGR 1120 and CGR 1240.

This section covers the following topics:

- [WPAN Models, on page 3](#)
- [WPAN Module Assembly, on page 4](#)
- [Front Panel, on page 4](#)

WPAN Models

[Table 1: WPAN Module Models, on page 3](#) lists the WPAN module models.

Table 1: WPAN Module Models

Model	Description
CGM-WPAN-FSK-NA	Connected Grid Module—IEEE 802.15.4e/g WPAN 900 MHz.

Model	Description
CGM-WPAN-OFDM-FCC	WPAN RF 900 Plug-in module for CGR 1000 routers. Provides access to 900 MHz mesh networks.

WPAN Module Assembly

The following figure shows the CGM-WPAN-FSK-NA WPAN module assembly.

The following figure shows the CGM-WPAN-OFDM-FCC WPAN module assembly.

Figure 1: CGM-WPAN-FSK-NA WPAN Module Assembly



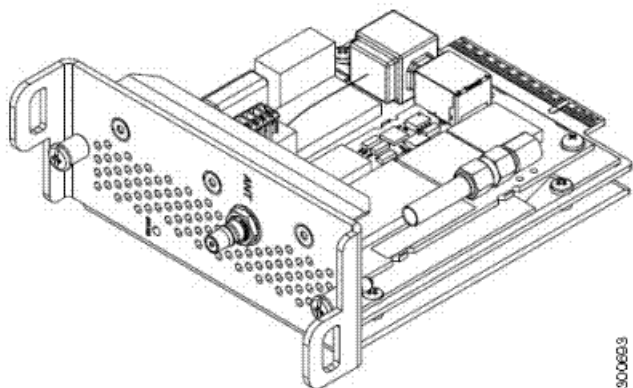
Figure 2: CGM-WPAN-OFDM-FCC WPAN Module Assembly



Front Panel

The following figure shows the front panel of the WPAN module and its components:

Figure 3: Front Panel of the Cisco Connected Grid WPAN Module



1	Captive screws	3	Antenna connector
2	Status LED		

Status LED

The Status LED provides a visual indicator of the available services. The following tables list the status LED colors and their meanings.

Table 2: LED Indicator of the CGM-WPAN-FSK-NA WPAN Module

Color	Description
Green	Indicates the RF status: <ul style="list-style-type: none"> Off: WPAN module is not powered. Steady On: WPAN module is powered on, hardware is functional.

Table 3: LED Indicators of the CGM WPAN-OFDM-FCC WPAN Module

LED Name	Definition	State
RSSI	Measure of power present in the received radio signal.	Yellow (Off) / Green (Off): RSSI less than -105 dBm
		Yellow (On) / Green (Off): RSSI is -105 to -95 dBm
		Yellow (Off) / Green (Slow Blink): RSSI is -95 to -75 dBm
		Yellow (Off) / Green (Fast Blink): RSSI is -75 to -60 dBm
		Yellow (Off) / Green (Solid On): RSSI greater than -60 dBm

LED Name	Definition	State
WPAN	WPAN traffic activity detect.	Yellow (Off) / Green (Off): WPAN port is disabled.
		Yellow (On) / Green (Off): Searching for network.
		Yellow (Off) / Green (Slow Blink): WPAN port is up.
		Yellow (Off) / Green (Fast Blink): Route is available and DHCPv6 configuration is starting.
		Yellow (Off) / Green (On): Global IPv6 address is available.
SYS	Indicates module status.	Green (Blinking): Broadcast slot time complete
		Yellow (Blinking): Bootload in process
		Yellow (Solid): Software update mode in process

Antenna Connector

The antenna connector is a QMA, panel-mounted, 50-ohm connector for connecting the antenna to the WPAN module.

WPAN Antennas, Connectors, and Cables

The antenna is connected to the QMA, panel-mount, 50-ohm connector located on the faceplate of the WPAN module. Depending on whether the WPAN module is used in the CGR 1240 or CGR 1120, there is a combination of indoor and outdoor cables to connect from the antenna to the QMA connector on the module.

The CGM-WPAN-OFDM module supports the outdoor 5dBi Omni Antenna. This antenna (Cisco Part Number: ANT-LPWA-DB-O-N-5) can be utilized for WPAN, LoRaWAN and ISM technologies.

For more information about antennas, including installation steps, see the [Cisco Connected Grid Antennas Installation Guide](#).

[Table 4: Cisco Supported CGR1240 WPAN Module Antennas, Connectors, and Cables](#), on page 6 lists the Cisco antennas supported by the WPAN module in a CGR 1240. [Table 5: Cisco Supported CGR1120 WPAN Module Antennas, Connectors, and Cables](#), on page 7 lists the Cisco antennas supported by the WPAN module in a CGR 1120.

Table 4: Cisco Supported CGR1240 WPAN Module Antennas, Connectors, and Cables

Case Description	Indoor Cable	Adapter or Lightning Arrestor	Outdoor Cable	Antenna
Case 1: RF900 Integrated Antenna, QMA connector (f), quantity=1	RA-QMA(m) to RA-MCX(m), LMR-100, 10.5", quantity=1, model no. CAB-L100-10-Q-M, Cisco part no. 37-1391-01	None	None	900 MHz, 3G, 806-960 MHz, 1710-2700 MHz, monopole antenna, chassis mounted, omnidirectional, quantity=1, model no. ANT-MP-INT-OUT-M, Cisco part no. 07-1140-02
	RA-QMA(m) to RA-MCX(m), LMR-100, 17.5", quantity=1, model no. CAB-L100-17-Q-M, Cisco part no. 37-1380-01			

Case Description	Indoor Cable	Adapter or Lightning Arrestor	Outdoor Cable	Antenna
Case 2: RF900 External Antenna, QMA connector (f), quantity=1	RA-QMA(m) to RA-MCX(m), LMR-100, 10.5", quantity=1, model no. CAB-L100-10-Q-M, Cisco part no. 37-1391-01	Bulkhead adapter, MCX(f) receptacle – N(f), quantity=1, Cisco part no.29-5950-01 and Lightning arrestor, DC pass, N(m)-N(f), quantity=1, model no.CGR-LA-NM-NF, Cisco part no. 07-1091-01	RA-N(m)-N(m), LMR-400-DB, 20', quantity=1, model no. CAB-L400-20-N-N, Cisco part no.37-1392-01	900 MHz ISM band, omnistick, N(f), quantity=1, model no. ANT-WPAN-OM-OUT-N, Cisco part no.07-1163-02
			RA-N(m)-N(m), LMR-600-DB, 30', quantity=1, model no.CAB-L600-30-N-N, Cisco part no.37-1396-01	

Table 5: Cisco Supported CGR1120 WPAN Module Antennas, Connectors, and Cables

Case Description	Indoor Cable	Adapter or Lightning Arrestor	Outdoor Cable	Antenna
Case 1: RF900 Omnistick Antenna, QMA connector (f), quantity=1	RA-QMA(m) to N(m), LMR-240-FR, 10', quantity=1, model no. CAB-L240-10-Q-N, Cisco part no. 37-1351-02	Lightning arrestor, N(f)-N(f), quantity=1, model no. CGR-LA-NF-NF, Cisco part no. 07-1158-01	RA-N(m) to N(m), LMR-400-DB, 20', quantity=1, model no. CAB-L400-20-N-N, Cisco part no. 37-1392-01	900 MHz ISM band, omnistick, 5 dBi gain, N(f), quantity=1, model no. ANT-WPAN-OM-OUT-N, Cisco part no. 07-1163-01
	RA-QMA(m) to N(m), LMR-240-FR, 15', quantity=1, model no. CAB-L240-15-Q-N, Cisco part no. 37-1352-02		RA-N(m)-N(m), LMR-600-DB, 30', quantity=1, model no. CAB-L600-30-N-N, Cisco part no. 37-1396-01	
	RA-QMA(m) to N(m), LMR-240-FR, 20', quantity=1, model no. CAB-L240-20-Q-N, Cisco part no. 37-1353-02			

Installing and Removing the Module

Installation Guidelines



Note The WPAN module can be installed in any slot of the CGR 1120 and CGR 1240.

Before installing the WPAN module, verify that the following guidelines have been met:

- Clearance to the I/O side view is such that the LED can be read.
- Airflow around the WPAN module and through the vents is unrestricted.
- Temperature around the unit does not exceed 140 degrees F (60 degrees C). If the WPAN module is installed in a closed or multi-rack assembly, the temperature around it might be higher than normal room temperature.
- Relative humidity around the WPAN module does not exceed 95% (non-condensing).
- Altitude at the installation site is not higher than 10,000 feet.
- After replacing or installing a module in the router, you must update the label (on the router exterior) that lists the module types contained in the router. The label must list the FCC ID number and the IC Certification number for each module installed in the router.

Before installing the OFDM module, verify that the following guidelines have been met:

- The module can be located in the same host as - and co-transmit with a cellular radio and a WiFi radio but not with any other radios.
- This device complies with part 15 of the FCC Rules. Operation is subject to the following two conditions: (1) This device may not cause harmful interference, and (2) this device must accept any interference received, including interference that may cause undesired operation.
- Installations of this product are limited to the CGR1000 router product series.
- Usage of antenna and antenna cabling options other than those listed in Table 4 and Table 5 will void the users authority to operate the equipment.
- Changes or modifications not expressly approved CISCO will void the user's authority to operate the equipment.
- Installations of this device must ensure a distance of at least 20 cm from persons of the general public to comply with RF-exposure requirements.

Installation Warning Statements

This section includes the basic installation warning statements. Translations of these warning statements appear in the [Regulatory Compliance and Safety Information for Cisco Connected Grid Router 1000 Series Routers](#).



Danger Only trained and *qualified personnel should be allowed* to install, replace, or service this equipment. Statement 1030



Danger To prevent the system from overheating, do not operate it in an area that exceeds the maximum recommended ambient temperature of: 140°F (60°C) Statement 1047



Danger To prevent airflow restriction, allow clearance around the ventilation openings to be at least: 1.75 in. (4.4 cm) Statement 1076

Installing the Module

Follow these steps to install the module in an available slot in the CGR 1120 or CGR 1240:



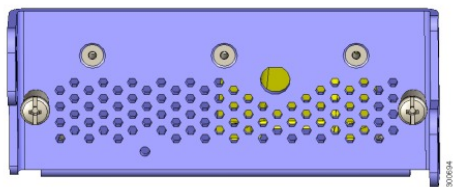
Caution Do **not** hot swap the WPAN module. Power down the module first.

Procedure

Step 1 Before you install the WPAN module within the host router (or remove the module), you must power down the router as described in the [Cisco 1120 Connected Grid Router Hardware Installation Guide](#) or the [Cisco 1240 Connected Grid Router Hardware Installation Guide](#).

Step 2 Insert the WPAN module into the slot as shown in [Figure 4: Inserted WPAN Module](#), on page 9.

Figure 4: Inserted WPAN Module



Step 3 Using a screwdriver, screw both captive screws into place.

Removing the Module

Follow these steps to remove the WPAN module from a slot in the CGR 1120 or the CGR 1240:



Caution Do **not** hot swap the WPAN module. Power down the module first.

Procedure

Step 1 Using a screwdriver, loosen the two captive screws on the WPAN module.

Step 2 Gently pull the WPAN module out of the slot.

Note Cover empty module slots with a slot cover.

Technical Specifications

Environmental Specifications

Following are the operating temperature ranges for the CGR:

- CGR 1120: -40 to 140 degrees F (-40 to 60 degrees C)
- CGR 1240: -40 to 158 degrees F (-40 to 70 degrees C)

Table 6: WPAN Module Environmental Specifications , on page 10 lists the environmental specifications for the WPAN module.

Table 6: WPAN Module Environmental Specifications

Environmental—Operational	Specifications
Temperature—operational	-40 to 158°F (-40 to 70°C)
Altitude	Up to 1500 meters
Humidity	RH95% non-condensing
Vibration	1.0 g from 1.0 to 150 Hz
Shock	30 G half sine 6 ms and 11 ms
Seismic	GR63-Core, Zone 4

Physical-Layer Specifications

Table 7: List of Interface Default Values, on page 10 lists the interface default values.

Table 7: List of Interface Default Values

Parameters	Default Value
Administrative state	Enabled
802.15.4 raw data rates	150 kbaud data rate, 75 bit rate due to FEC
Maximum RF transmit power	28 dBm
Channels	64 when using 902-to-928 MHz band (frequency hopping)
Link retransmission retries	3

Table 8: Default Frequencies of Channels , on page 11 lists the default frequencies for each channel.

Table 8: Default Frequencies of Channels

Channel Number	Channel Frequency (MHz)	Channel Number	Channel Frequency (MHz)	Channel Number	Channel Frequency (MHz)	Channel Number	Channel Frequency (MHz)
0	902.400	16	908.800	32	915.200	48	921.600
1	902.800	17	909.200	33	915.600	49	922.000
2	903.200	18	909.600	34	916.000	50	922.400
3	903.600	19	910.000	35	916.400	51	922.800
4	904.000	20	910.400	36	916.800	52	923.200
5	904.400	21	910.800	37	917.200	53	923.600
6	904.800	22	911.200	38	917.600	54	924.000
7	905.200	23	911.600	39	918.000	55	924.400
8	905.600	24	912.000	40	918.400	56	924.800
9	906.000	25	912.400	41	918.800	57	925.200
10	906.400	26	912.800	42	919.200	58	925.600
11	906.800	27	913.200	43	919.600	59	926.000
12	907.200	28	913.600	44	920.000	60	926.400
13	907.600	29	914.000	45	920.400	61	926.800
14	908.000	30	914.400	46	920.800	62	927.200
15	908.400	31	914.800	47	921.200	63	927.600

Regulatory and Compliance Information

For regulatory compliance and safety information for the WPAN module, refer to Regulatory Compliance and Safety Information for the Cisco 1000 Series Connected Grid Routers:

<http://www.cisco.com/en/US/docs/routers/connectedgrid/cgr1000/rcsi/cgr1000.rsci.html>

Information About Cisco Resilient Mesh and WPAN

Cisco Resilient Mesh and WPAN Overview

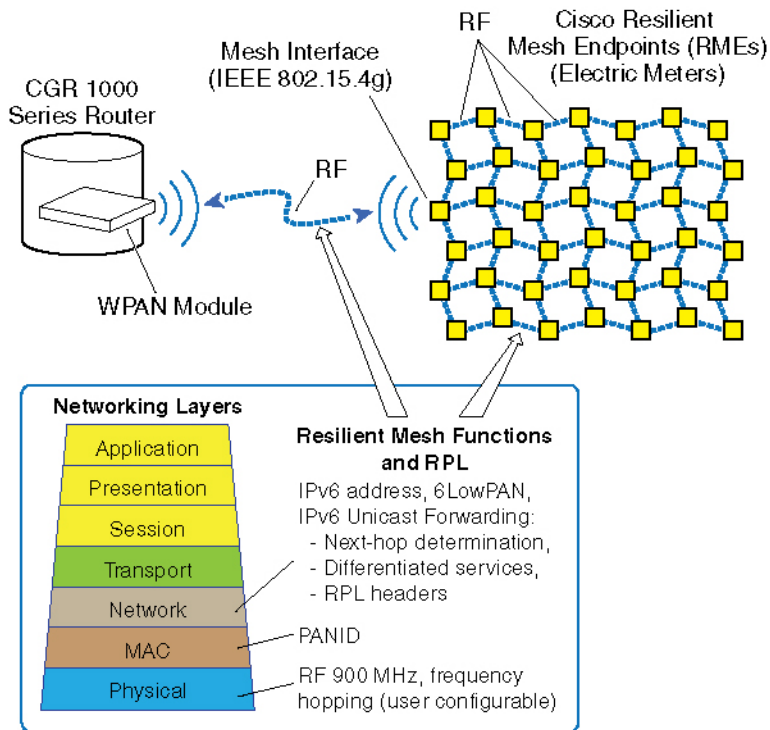
Cisco Resilient Mesh is embedded firmware for Smart Grid assets within a Neighborhood Area Network that supports an end-to-end IPv6 communication network using mesh networking technology. Cisco Resilient Mesh is embedded in Smart Grid endpoints, such as residential electric meters using IP Layer-3 mesh networking technology, that perform end-to-end IPv6 networking functions on

the communication module. Resilient Mesh Endpoints (RMEs) support an IEEE 802.15.4e/g interface and standards-based IPv6 communication stack, including security and network management.

Cisco Resilient Mesh supports a frequency-hopping radio link, network discovery, link-layer network access control, network-layer auto configuration, IPv6 routing and forwarding, firmware upgrade, and power outage notification. See [Power Outage Notification, on page 23](#).

The CGR runs the IPv6 Routing Protocol over Low Power and Lossy Networks, also known as RPL. The IPv6 Layer-3 RPL protocol is used to build the mesh network. It serves as an RPL Directed Acyclic Graph (DAG) root and stores information reported in Destination Advertisement Object (DAO) messages to forward datagrams to individual nodes within the mesh network.

Figure 5: Cisco Resilient Mesh Functional Overview



The network provides a communication platform for two-way wireless communication with Smart Grid assets, such as residential electric meters or distribution automation devices, and supports multiple application services simultaneously, such as Advanced Metering Infrastructure (AMI) and Distribution Automation (DA).

For more information on the IEEE 802.15.4 link, see [Frequency Hopping, on page 15](#).

You can configure a CGR with dual WPANs for either of the following scenarios:

- Multiple WPANs can operate in the network, each as independent WPAN and independent Cisco Resilient Mesh. In this configuration, each WPAN forms a separate RPL tree and mesh, and each must have a unique IPv6 prefix and Service Set Identifier (SSID).
- A WPAN can also operate in a master-slave configuration. The master WPAN owns the RPL tree and the mesh, and all IPv6 and 802.1x traffic flows through the master WPAN from the perspective of the CGR and IoT FND. Conceptually, the slave WPAN acts only as a NIC at the MAC and PHY layer. In that sense, the slave WPAN is attached to the master WPAN. For more information, see [Dual-PHY WPAN , on page 26](#).

Physical Layer

RMEs use the communication module in a manner that is compliant with the IEEE 802.15.4g PHY standard. The following PHY parameters are determined by the capabilities of the hardware:

- 902-to-928 MHz ISM band, with 64 non-overlapping channels, 400 kHz spacing and 150kbps data rate for 2-FSK; CGM-WPAN-OFDM supports 2-FSK with 200 kHz channel spacing and 50kbps data rates with 129 channels.
- OFDM Option 2 802.15.4g. Frequency hopping between up to quantity 31 800 kHz channels, PHY data rates of 50 kbps, 200 kbps, 400kbps,800 kbps and 1200kbps
- BFSK modulation
- Forward Error Correction (FEC) with Interleaving
- 150 kbaud data rate, 75 bit rate due to FEC

See [Physical-Layer Specifications, on page 10](#) for interface default values and default frequencies for each channel.

Media Access Control (MAC) Layer

RMEs implement a proprietary Media Access Control (MAC) layer that utilizes the enhanced frame formats specified by IEEE 802.15.4e-2012 and IEEE 802-15.4g-2012.

Network Discovery

Enhanced Beacon (EB) messages allow communication modules to discover PANs that they can join. RMEs also use EB messages that disseminate useful PAN information to devices that are in the process of joining the PAN. Joining nodes are nodes that have not yet been granted access to the PAN. As such, joining nodes cannot communicate IPv6 datagrams with neighboring devices. The EB message is the only message sent in the clear that can provide useful information to joining nodes. CGRs drive the dissemination process for all PAN-wide information.

Joining devices also use the RSSI value of the received EB message to determine if a neighbor is likely to provide a good link. The transceiver hardware provides the RSSI value. Neighbors that have an RSSI value below the minimum threshold during the course of receiving EB messages, are not considered for PAN access requests.

Frame Formats

RMEs support the enhanced frame formats, specified by IEEE 802.15.4e-2012 and IEEE 802-15.4g-2012, that allow link frames to carry the following information:

- Frequency hopping synchronization
- Security capabilities in EB frames
- Received Signal Strength Indication (RSSI) information in acknowledgments for bi-directional link quality estimation

In addition, RMEs use secure, enhanced acknowledgment frames which are the same security mechanisms used to secure data frames.

Link-layer Access Control

RMEs implement link-layer access control mechanisms that follow the functionality defined by the IEEE 802.1X standard for node authentication.

- **Admitting nodes**—The access control mechanism follows the concepts established by 802.1X for mutual authentication and 802.11i for group key management. RMEs use certificate-based EAP-TLS to perform mutual authentication with an AAA server. RMEs implement the supplicant, and the CGR implements the authenticator. RMEs use a stateless EAP proxy that forwards

EAP messages between the CGR and a joining interface because the joining interface might be multiple mesh hops away from the CGR. CGRs communicate with a standard AAA server using the RADIUS protocol.

- **Evicting nodes**—To evict nodes from a network, the CGR must communicate a new Group Temporal Key (GTK) to all nodes in the PAN except those being evicted. The new GTK has a valid lifetime that begins immediately. After the new GTK is distributed to all allowed nodes, the CGR invalidates the old GTK. After the old GTK is invalidated, those nodes that did not receive the new GTK can no longer participate in the network and are considered evicted.
- **Security mode**—All data-and-acknowledgment traffic are protected using the IEEE 802.15.4 Counter with CBC-MAC (CCM) security mode.
- **AES-128 keys**—All nodes in a PAN share the same AES-128 keys for use with CCM.
- **Device authentication**—EAP-TLS, where the CGR serves as the authenticator and communicates with a standard AAA server using RADIUS.
- **Handshake protocol**—A handshake protocol similar to 802.11i is used to establish a Pairwise Temporal Key (PTK) between a device and a CGR. The PTK is used to securely distribute the GTK. The same handshake messages might be used to refresh the GTK.

Because communication modules might not be within direct communication range of a CGR, RMEs also implement an EAP proxy service so that communication modules can proxy messages between a joining device and the CGR.

6LoWPAN Adaptation

The 6LoWPAN adaptation layer adapts IPv6 to operate efficiently over low-power and lossy links such as defined by IEEE 802.15.4 (low-rate WPAN (LR-WPANs)). The adaptation layer sits between the IPv6 and IEEE 802.15.4 layers and provides IPv6 header compression, IPv6 datagram fragmentation, and optimized IPv6 Neighbor Discovery.

The 6LoWPAN adaptation feature uses packet-header filtering for packet transmission when transporting IPv6 datagrams within IEEE 802.15.4e frames.

RMEs implement the 6LoWPAN header compression format: *>RFC 6282 on Compression Format for IPv6 Datagrams over IEEE 802.15.4-Based Networks* . For each IPv6 datagram submitted to the mesh interface for transmission, an RME attempts to compress the IPv6 header to the smallest encoding supported by the header compression mechanism.



Note Initial 6LoWPAN RFC 4944 also includes an IPv6 header compression scheme that is now deprecated and replaced by RFC 6282 6LoWPAN header compression. The Cisco CGR implementation for 6LoWPAN header compression implements only RFC 6282.

For more information on RFC 6282, see <http://datatracker.ietf.org/doc/rfc6282/> .

The 6LoWPAN adaptation feature uses 800-byte IEEE802.15.4 MTU with MAC layer fragmentation, and has 800-byte IEEE 802.1X MTU with no MAC layer fragmentation support.



Note RMEs perform hop-by-hop packet fragmentation and reassembly, where a communication module must receive all 6LoWPAN fragments for an IPv6 datagram before it can begin forwarding the datagram to the next hop. However, whereas the IEEE 802.15.4e/g PHY supports a 1500-byte MTU, the Cisco implementation of the 6LoWPAN layer does not generate link frames larger than 800 bytes.

Frequency Hopping

RMEs implement frequency hopping between up to quantity 31 800 kHz channels, PHY data rates of 50 kbps, 200 kbps, 400kpbs,800 kbps and 1200kbps in the 902-to-928 MHz ISM band. The frequency hopping protocol maximizes the use of the available spectrum by allowing multiple sender-receiver pairs to communicate simultaneously on different channels. The frequency hopping protocol also mitigates the negative effects of narrowband interferers.

RMEs allow each communication module to follow its own channel-hopping schedule for unicast communication and synchronize with neighboring nodes to periodically listen to the same channel for broadcast communication. This enables all nodes within a RME PAN to use different parts of the spectrum simultaneously for unicast communication when nodes are not listening for a broadcast message. Using this model, broadcast transmissions can experience higher latency than with unicast transmissions.

When a communication module has a message destined for multiple receivers, it waits until its neighbors are listening on the same channel for a transmission. The size of a broadcast listening window and the period of such listening windows determine how often nodes listen for broadcast messages together rather than listening on their own channels for unicast messages.



Note RMEs implement a leading-edge frequency hopping scheme developed by Cisco. Currently, neither IEEE 802.15.4 nor any other industry standard defines a frequency hopping protocol.

Unicast Listening Schedule

The unicast schedule supports unicast communication used for communicating MAC commands and IPv6 unicast datagrams.

Each node maintains its own channel-hopping schedule for receiving unicast messages. A unicast schedule is defined by the following parameters:

- **Channel Sequence**—A list of channels indexed by a 16-bit integer that a mesh interface follows when listening for unicast transmissions.
- **Slot Duration**—The equal-sized time slots of the unicast schedule. A node listens to a single channel for the entire duration of a slot before switching to the next channel in the unicast schedule for listening.

Broadcast Listening Schedule

The Layer-2 broadcast schedule supports broadcast communication used for communicating Layer-3 IPv6 multicast datagrams. The broadcast schedule is established on a CGR and disseminated to all nodes in the PAN using a Trickle-based dissemination protocol. All nodes in the PAN synchronize to only one broadcast schedule. There is no coordination of broadcast schedules between PANs.

The following parameters define the broadcast schedule:

- **Channel Sequence**—Lists channels indexed by a 16-bit integer the mesh interface follows when listening for broadcast transmissions.
- **Slot Duration**—Specifies equal-sized time-slots for the broadcast schedule.
- **Broadcast Listen Window**—Specifies how long a node listens for broadcast messages within a broadcast slot. Broadcast packets must start their transmission within the Broadcast Listen Window to ensure that all neighboring nodes are listening for the broadcast transmission. The Broadcast Listen Window must specify a time that is no greater than the Slot Duration. At the beginning of each broadcast slot, the node switches to the next channel in the broadcast schedule to listen for broadcast transmissions. At the end of the Broadcast Listen Window, the node returns to listening for unicast transmissions until the start of the next broadcast slot. The unicast schedule is free running and the timing remains unaffected by the broadcast schedule. In other words, the broadcast schedule is overlaid on a node unicast schedule.

IPv6 Network Layer

RMEs implement standard IPv6 services. The IPv6 layer forwards IPv6 datagrams between the mesh and serial interfaces. The IPv6 layer also uses the mesh interface to forward IPv6 datagrams across other communication modules.

- RMEs support both unicast and multicast forwarding. Layer-3 multicast is mapped to Layer-2 broadcast.
- RFC 768 User Datagram Protocol (UDP) is the recommended transport layer protocol over 6LoWPAN.
- TCP is not the preferred transport layer over 6LoWPAN and is generally not used by RMEs.
- The default IPv6 MTU is 1280 bytes. Higher layers might limit the size of link frames to a smaller value. As described in [6LoWPAN Adaptation, on page 14](#), the Cisco 6LoWPAN implementation supports an 800-byte MTU.

IPv6 Protocols

Cisco Resilient Mesh implements the following protocols to support IPv6:

- RFC 2460: Internet Protocol version 6
- RFC 4291: IP Version 6 Addressing Architecture
- RFC 6724: Default Address Selection for Internet Protocol Version 6 (IPv6)
- RFC 4861: Neighbor Discovery for IPv6
- RFC 4443: ICMP for the Internet Protocol Version 6 (IPv6)
- RFC 3315: Dynamic Host Configuration Protocol for IPv6

Autoconfiguration

RMEs implement a DHCPv6 client for IPv6 address autoconfiguration. RMEs also support arbitrary DHCPv6 options (that is, vendor option 17) to allow additional stateless configuration information to be included in DHCPv6 replies from the server. Cisco Resilient Mesh uses the DHCPv6 Rapid Commit option to reduce the traffic to only Solicit and Reply messages, so the DHCPv6 server must support this option.

RMEs implement a DHCPv6 client, while the CGR implements a DHCPv6 Relay Agent. A joining node might not be within range of a CGR and must use a neighboring communication module to make DHCPv6 requests.

On a RME, no DHCPv6 server address needs to be configured. The DHCPv6 client requests are sent to the DHCPv6 Relay Agent on the CGR. The DHCPv6 Relay Agent forwards the DHCPv6 client messages to the DHCPv6 server.

RPL

RMEs perform routing at the network layer using the Routing Protocol for Low-Power and Lossy Networks (RPL):

- RFC 6550 RPL: IPv6 Routing Protocol for Low-Power and Lossy Networks (RPL) (to establish routes for delivering unicast IPv6 datagrams to their destinations).
- RFC 6551: Routing Metrics Used for Path Calculation in Low-Power and Lossy Networks
- RFC 6553: The Routing Protocol for Low-Power and Lossy Networks (RPL) Option for Carrying RPL Information in Data-Plane Datagrams
- RFC 6554: An IPv6 Routing Header for Source Routes with the Routing Protocol for Low-Power and Lossy Networks (RPL)
- RFC 6206: The Trickle Algorithm

- RFC 6719: The Minimum Rank with Hysteresis Objective Function

RPL does the following:

- Offers a number of advanced features, such as trickle timers limiting the chattiness of the control plane, dynamic link (hop count, throughput, latency, link/path reliability (ETX), link colors), and node routing metrics (node state/attribute, node power levels) for constraint-based routing useful for combined AMI (Advanced Metering Infrastructure) and DA (Distributed Automation) deployments.
- Supports multi-topology routing with the support of multiple Directed Acyclic Graphs (DAGs) where each DAG is optimized against different constraints and metrics dictated by the objective function.
- Reduces the probability of loops occurring as well as detects these loops by employing data path validation, and then breaking the loops using local poisoning.
- CGR and RME implementations support a non-storing mode for RPL.
- Supports both local repair (faster and sub-optimal) and global re-optimization.
- RPL constructs the routing tree of the meters.

Each node builds and maintains up to three Destination-Oriented Directed Acyclic Graphs (DODAG) parents that provide a path to the Root CGR.

RMEs implement a non-storing mode because the expected traffic flow for AMI applications primarily flows through the CGR. Implementing non-storing mode helps save memory on RMEs by only storing the DODAG parents and the neighbors on the sub-DAG. In non-storing mode, each node maintains their DODAG parents and uses them as default routes. The routing graph, created by the set of DODAG parents across all nodes, defines the set of upward routes—each node reports their DODAG parents to the CGR so that the router can generate source routes when delivering datagrams across the PAN. Likewise, nodes establish downward routes by advertising their parent set towards the DODAG Root. Because RMEs implement the non-storing mode of RPL, nodes report their parent sets directly to the Root; and, the Root must store the information. The Root uses this information when determining source routes needed for delivering datagrams to individual nodes within the mesh.

RMEs configure the RPL protocol to ensure routes are loop-free by disallowing nodes from selecting DODAG parents that are positioned further away from the CGR.

Route Redistribution of External RPL Routes

CG WPAN module for Cisco Resilient Mesh supports route redistribution of external RPL routes in Cisco Resilient Mesh networks for application modules and MAP-T addresses in DA networks. (See [Configuring Redistribution of RPL in Other Routing Protocols](#), on page 34).

IPv6 Unicast Forwarding

RMEs implement a route-over architecture where forwarding occurs at the network layer. RMEs examine every IPv6 datagram that they receive and determine the next-hop destination based on information contained in the IPv6 header. RMEs do not use any information from the link-layer header to perform next-hop determination.

RMEs implement the options for carrying RPL information in Data-Plane datagrams ([RFC 6553](#)) and Type 4 routing header as specified for RPL in [RFC 6554](#) . The routing header allows a node to specify each hop that a datagram must follow to reach its destination.

The RME communication stack offers four priority queues for QoS and supports differentiated classes of service when forwarding IPv6 datagrams to manage interactions between different application traffic flows as well as control-plane traffic. RMEs implement a strict-priority queuing policy, where higher-priority traffic always takes priority over lower-priority traffic.

The traffic on RMEs is marked by the vendor implementation (configuration functionality is not available). If required, traffic can be remarkeded on the CGR.

IPv6 Multicast Forwarding

RMEs deliver IPv6 multicast messages that have an IPv6 destination address scope larger than link-local when using a Layer-2 broadcast. When RMEs receive a global-scope IPv6 multicast message, the node delivers the message to higher layers if the node is subscribed to the multicast address. RMEs then forward the message to other nodes by transmitting the same IPv6 multicast message over the mesh interface. RMEs use an IPv6 Hop-by-Hop option containing a sequence number to ensure that a message is not received and forwarded more than once.

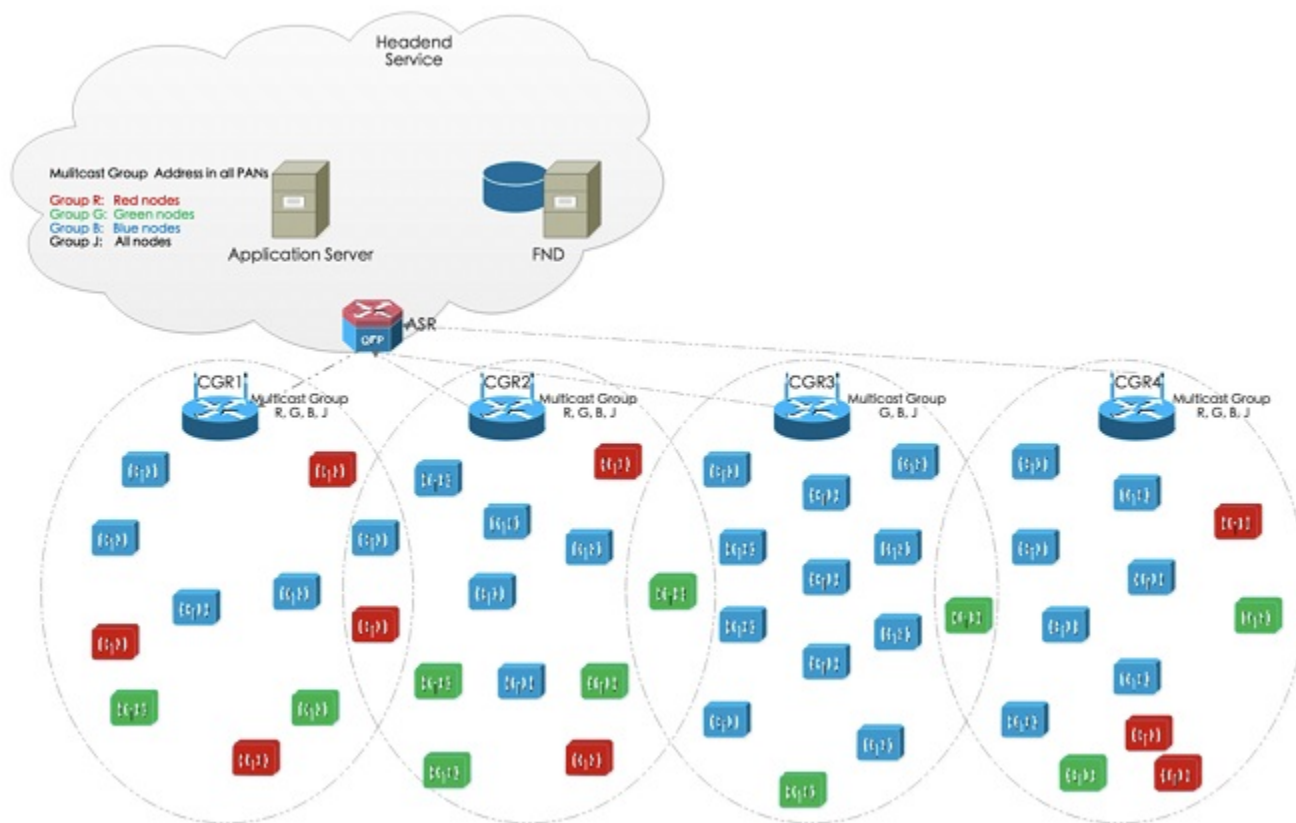
Group Multicast

Group multicast can be used to control a specific group of devices by multicast. The devices in one group can cross multiple PANs. This feature is supported on CGEREF2/CGEREF2PLUS/CGEREF3/CGERFPLCREF3 with Cisco Resilient Mesh Release 6.2.



Note This feature only works when MPL is enabled.

In the following figure, headend services are composed of the third-party application server and FND. Headend router are used for managing and communicating with all nodes in multiple PANs. In an application data collection system, there are multiple groups crossing multiple CGRs to collect different data in the field. The nodes in a group intersperse in multiple PANs.



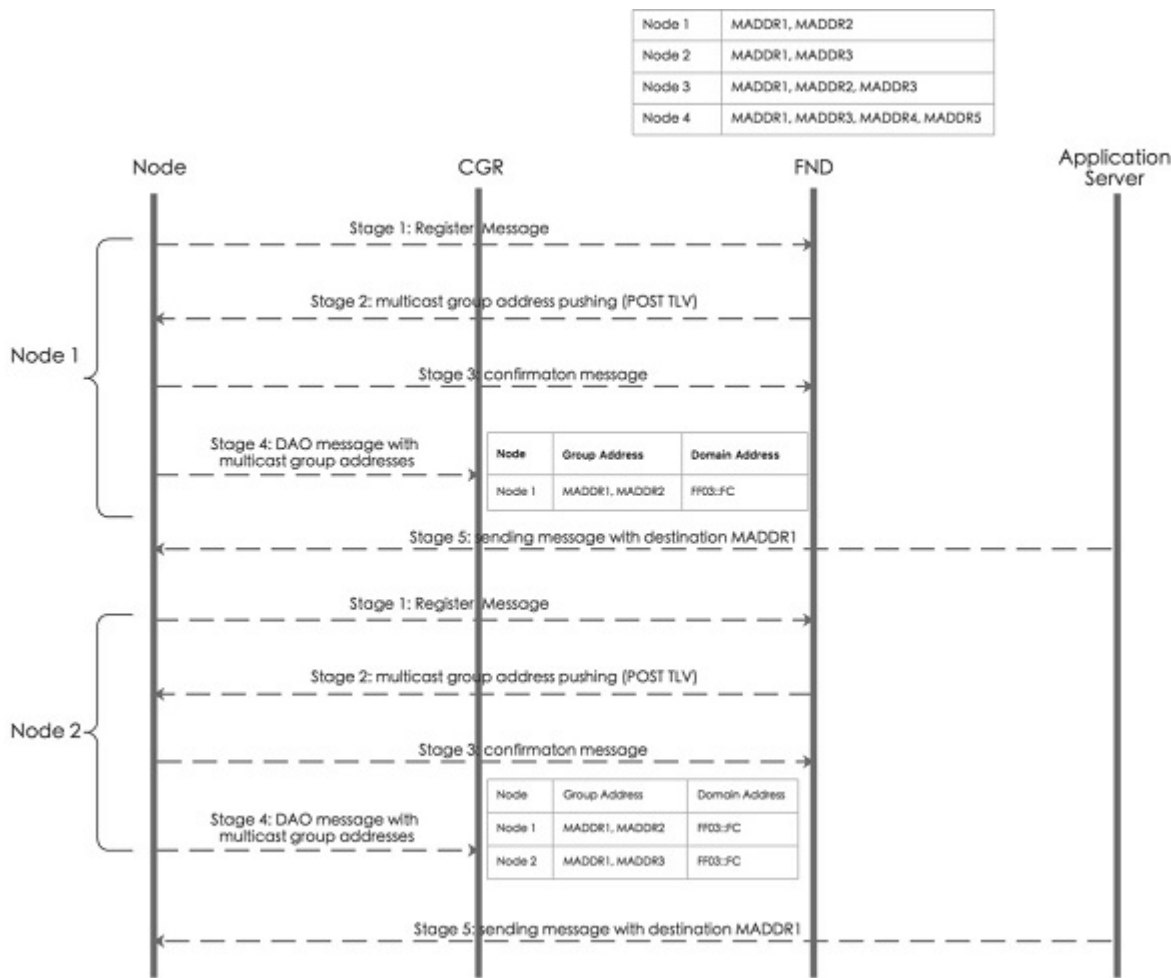
The group multicast configuration is supported on FND or application server. FND manages the group multicast addresses table based on customer's configuration, while the application server manages the group multicast addresses.



Note In Release 6.2, FND doesn't support the group configuration. You need to invoke API to config the group.

The overall process of FND management can be divided into the following stages:

Figure 6: FND Management Process



- Stage 1: Subscribing IPv6 multicast group address from FND.

After a node joins in the network, it will send the register message to FND shown in above picture. If FND has the preconfigured multicast group table, it will push the multicast group addresses to the node.

- Stage 2: Managing IPv6 multicast group address on node.

FND posts node's IPv6 multicast group addresses (maximum is 4) with TLV MulticastGroupSettings to the node. FND can add or delete the multicast group addresses by TLV MulticastGroupSettings.

- Stage 3: Notifying node's IPv6 multicast group address to FND.

After a node receive the multicast group addresses, it will send the confirmation message to FND. Then the node can register it into FND. At the same time, node will periodically send its group multicast address into FND.

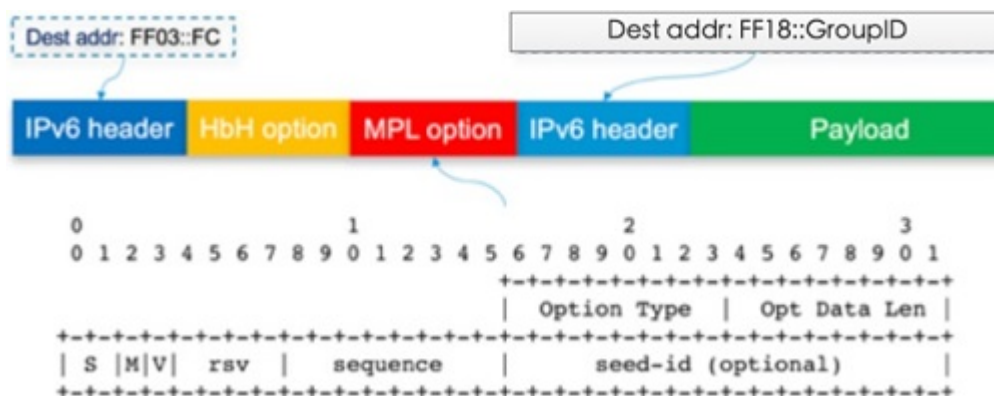
- Stage 4: Subscribing all IPv6 multicast group addresses in a PAN on CGR.

Nodes send DAO message directly to CGR. The multicast group information with multicast group addresses and MPL domain will be inserted into one DAO option. CGR will add the multicast group entry for WPAN interface, so that CGR can forward multicast data message from application server to nodes.

- Stage 5: Sending multicast message from application server to nodes.

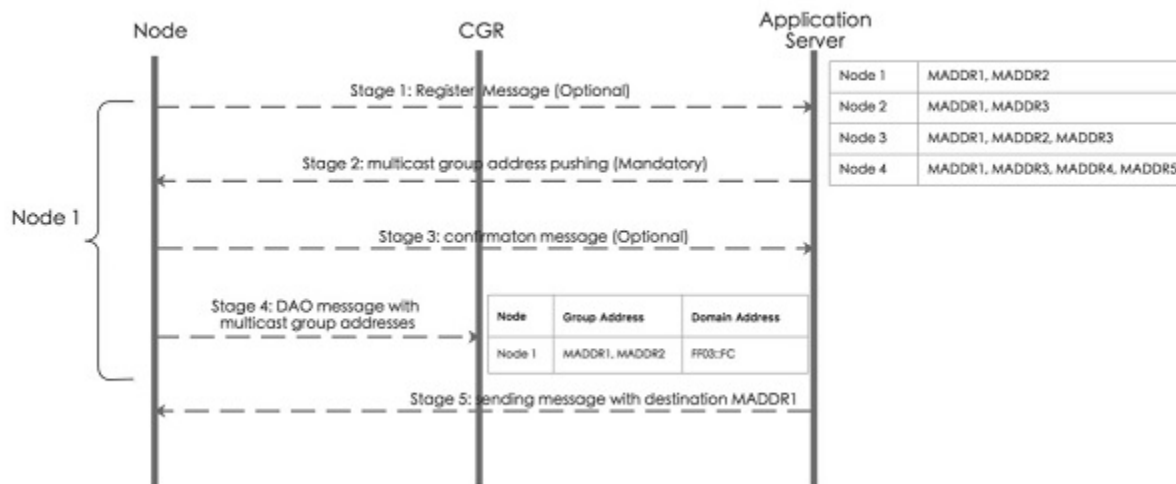
When application server sends a multicast message to nodes, if MPL is enabled on CGR, CGR inserts the MPL domain address (for example, FF03::FC) into original multicast message as shown in the following figure. Then CGR forwards the MPL message to WPAN interface. If node joins in the destination group address, it will receive the message and handle in the upper layer of nodes. If node does not join in the destination group address, it will forward this MPL message because all nodes join in the same MPL domain.

Draft comment: add the multicast group scope for this feature



The overall process of application server management can be divided into the following stages:

Figure 7: Application Server Management Process



- Stage 1: Optionally subscribing IPv6 multicast group address from application server.

After a node joins in the network, the application layer of node can subscribe the multicast group addresses from application server shown in above figure.

- Stage 2: Managing IPv6 multicast group address on node.

Application server pushes node's IPv6 multicast group addresses (maximum is 4) to nodes. At the same time, nodes can also call SDK APIs (`if_addmaddr`, `if_delmaddr`, `if_getmaddrs`) to add/delete/get multicast group addresses.

- Stage 3: Optionally notifying node's IPv6 multicast group address to application server.

After a node receives the multicast address from application server, it sends the confirmation to the application server.

- Stage 4: Subscribing all IPv6 multicast group addresses in a PAN on CGR.

Nodes send DAO message directly to CGR. The multicast group information with multicast group addressees and MPL domain will be inserted into one DAO option. CGR will add the multicast group entry for WPAN interface, so that CGR can forward multicast data message from application server to nodes.

- Stage 5: sending multicast message from application server to nodes.

This stage is the same as the stage 5 of process with FND management.

For more information about configuring group multicast, see [Configuring Group Multicast, on page 32](#).

CoAP Simple Management Protocol (CSMP)

RMEs implement CSMP for remote configuration, monitoring, and event generation over the IPv6 network. CSMP service is exposed over both the mesh and serial interfaces. RMEs use the Cisco IoT FND, which provides the necessary backend network configuration, monitoring, event notification services and network firmware upgrade, as well as power outage and restoration notification and meter registration. IoT FND also retrieves statistics on network traffic from the interface.

IoT FND accesses CSMP over the mesh to manage communication modules. The application module can use the information to perform application-specific functions and support customer-specific diagnostic tools.

RMEs do not support the following:

- CLI commands—All configuration and management occur only through CSMP
- No user interface—All configuration and management occur only through CSMP



Note In operations, IoT FND is the preferred interface to manage the WPAN module configuration and Cisco Resilient Mesh networks. Only trained and qualified engineers should use the Cisco IOS CLI to configure or monitor a WPAN module.

Status Information

The following parameters are available from the RMEs through CSMP on IoT FND:

- Identification
- UTC time in seconds
- IEEE 802.15.4 link
- 6LoWPAN link
- Network interface (for both serial and mesh interface)
- RPL
- Cisco Resilient Mesh firmware

Certificate Management with EST Protocol

The Enrollment over Secure Transport (EST) is a cryptographic protocol that describes a certificate management protocol targeting public key infrastructure (PKI) clients that need to acquire client certificates and associated certificate authority (CA) certificates. EST uses Public-Key Cryptography Standards (PKCS) 10 for certificate requests.

With the EST support enabled, the operational certificates do not need to depend on the manufacturer's PKI. The manufacturer-installed certificate is used only once for initial bootstrapping. After that, all certificates used by the endpoint can be managed using the customer's PKI only. The management of customer-installed certificates does not require manually installing the certificates and keys on the endpoints.



Note EST is supported on IR510 WPAN Gateway and IR530 WPAN Range Extender with Cisco Resilient Mesh Release 6.1.

The following certificates are supported:

- Manufacturer IDevID (birth certificate) – Installed by the manufacturer, using the manufacturer's PKI, only used for bootstrapping, and immutable.
- Utility IDevID (passport certificate) – Managed by Utility PKI, enrolled using Manufacturer IDevID, and used only for enrolling the LDevID.
- LDevID (visa certificate) – Managed by Utility PKI, enrolled using Utility IDevID, and used for 802.1X authentication as operational certificate.

When the endpoint comes with a manufacturer IDevID, after onboarding it acquires a passport and a visa cert from the customer PKI domain. The manufacturer IDevID and passport certificates are used to authenticate and authorize the endpoint when it enrolls for a visa certificate. The visa cert is used to authenticate and authorize the endpoint when it joins the network (802.1x, EAP-TLS).

The Cisco Resilient Mesh uses EST over CoAP/DTLS/UDP for certificate enrollment. During the initial bootstrapping process, nodes that have already joined the network (enrolled and authenticated) act as DTLS relays for nodes being bootstrapped.

DTLS relay can be configured by CLI with the following parameters:

- enabled flag, allows to disable the entire relay functionality when not needed
- EST server IP address and port
- maximum number of sessions
- maximum session lifetime

For more information on DTLS relay configuration, see [Configuring DTLS Relay for EST, on page 52](#).



Note DTLS relay should only be enabled during the enrollment windows.

When nodes that are one hop away from the Border Router (BR) are being enrolled, they need to go through the DTLS relay running on the BR. On the BR, layer 1 and layer 2 run on the bridge (running Resilient Mesh) while layer 3 and above run in IOS. The relay operates at layer 3 and layer 4, therefore it is implemented in IOS as well. The relay on the BR will support the same configuration that is supported by the relay running on endpoints. On the BR, the configuration will be done using IOS CLIs.

The relay on the node can be set by TLV170 DtlsRelaySettings. Each node supports at most two relay sessions at the same time. Because each DTLS packet will refresh the relay session, the timeout of each session is 30 seconds.

EST provides an operation for the client to retrieve a bundle of CA certificates from the server, including 802.1x CA and the NMS certificate, as well as the EST-related certificates.

EST supports the enrollment operation of client generating its own private key. With client-side key generation, the client sends a /sen (simpleenroll) request with the CSR. The EST server processes the request and if it is valid, returns the client certificate in a PKCS7 Response. The certificate will include the public key from the CSR.

During bootstrapping this enrollment process is performed twice. First the client authenticates with the Manufacturer IDevID and enrolls the Utility IDevID. After that it authenticates with the Utility IDevID and enrolls the Utility LDevID. The Utility LDevID is then used for the 802.1X authentication.

Power Outage Notification

Cisco Resilient Mesh supports timely and efficient reporting of power outages. In the event of a power outage, Cisco Resilient Mesh enters power outage notification mode and the node stops listening for traffic to conserve energy. Cisco Resilient Mesh triggers functions to conserve energy by notifying the communication module and neighboring nodes of the outage. The outage notification is sent using the same security settings as any other UDP/IPv6 datagram transmission. Communication modules, unaffected by the power outage, gather and forward the information to a CGR.

When power outage happens, if the outage node's backup power is adequate, its Power Outage Notification (PON) message will be sent as broadcast once. Any node receiving the PON message will delete this parent based on the hold up time if it exists. Such node is called **powered outage node**.

If the outage node's backup power is limited, its PON message will be sent as broadcast three times. Any node receiving the PON message will delete this parent directly if the route exists and forward it to the outage server. Such node is called **normal outage node**.

Under outage mode, powered outage node will still send its PON and relay children's PONs to its parent as unicast. However, normal outage node is in deep sleep mode until the next broadcast transmission. Receiving and unicasting transmission is disabled.

To improve the PON success rate, PON RPL instance is introduced in Wi-SUN mode in the Cisco Resilient Mesh Release 6.2.

- If node's PON RPL instance is valid and at least one parent is available, parent should be the preferred parent of PON RPL instance.
- If node's PON RPL instance has no available parent, parent should be the preferred parent from Core RPL instance.
- If node's PON RPL instance has no available parent, the node must drop the packet from PON RPL instance.

To configure PON RPL, see [Configuring PON RPL, on page 35](#).

To configure outage server address, see [Configuring the Power Outage Server, on page 35](#).

Software Upgrade

You can perform firmware upgrades through the CGR CLI (Cisco IOS). WPAN firmware is not upgraded automatically when the CGR is upgraded to a new image integrated with new WPAN firmware.

You can upgrade the WPAN to the firmware version integrated in the CGR image, or you can upgrade to a custom WPAN firmware other than the one integrated in current CGR image. For more information, see [Checking and Upgrading the WPAN Firmware Version, on page 81](#).

Performance

RMEs support the following performance-enhancing features:

- **Network discovery time**—To assist field installations, RMEs support mechanisms that allow a node to determine whether or not it has good connectivity to a valid mesh network. For more information, see [Network Discovery, on page 13](#).
- **Network formation time**—To assist field installations, RMEs use mechanisms that allow up to 5,000 nodes in a single WPAN to go through the complete network-discovery, access-control, network configuration, route formation, and application registration process.
- **Network restoration time**—The mechanism that aids the rerouting of traffic during a link failure.
- **Power outage notification**—For more information, refer to [Power Outage Notification, on page 23](#).

Cisco Resilient Mesh Security

Cisco Resilient Mesh Network Access Control and Authentication

Cisco Resilient Mesh WPAN Network Access Control (WNAC) authenticates a node before the node gets an IPv6 address. WNAC uses standard, widely deployed security protocols that support Network Access Control, in particular, IEEE 802.1X using EAP-TLS to perform mutual authentication between a joining Low Power and Lossy Network (LLN) device and an AAA server. In addition, Cisco Resilient Mesh uses the secure key management mechanisms introduced in the IEEE 802.11i to allow the CGR to securely manage the link keys within each Cisco Resilient Mesh device.

LLNs are typically composed of multiple hops and Cisco Resilient Mesh is used to support EAPOL over multi-hop networks. In particular, the Supplicant (LLN device) might not be within direct link connectivity of the Authenticator (CGR). Cisco Resilient Mesh uses the Split Authenticator as a communication relay for the Authenticator. All devices that have successfully joined the network also serve as a Split Authenticator, accepting EAPOL frames from those devices that are attempting to join the network. Because Cisco Resilient Mesh performs IP-layer routing, the Split Authenticator relays EAPOL frames between a joining device and an Authenticator using UDP. By introducing a Split Authenticator, the authentication and key management protocol is identical to an LLN device regardless of whether it is a single hop from the CGR or multiple hops away.

To manage the group keys, Cisco Resilient Mesh implements disruptive innovations which introduce novel mechanisms for efficiently managing the group keys using the key management mechanisms specified in IEEE 802.11i.

The CGR and Cisco Resilient Mesh devices use the IEEE 802.11 key hierarchy in persistent state to minimize the overhead of maintaining and distributing group keys. In particular, an LLN device first checks if it has a valid Group Temporal Key (GTK) by verifying the key with one of its neighbors. If the GTK is valid, the node can begin communicating in the network immediately. Otherwise, the device then checks if it has a valid Pairwise Temporal Key (PTK) with the CGR. If the PTK is valid, the CGR initiates a two-way handshake to communicate the current GTK. Otherwise, the device checks if it has a valid Pairwise Master Key (PMK) with the CGR. If the PMK is valid, the CGR initiates a two-way handshake to establish a new PTK and communicate the current GTK. Otherwise, the device will request a full EAP-TLS authentication exchange. This hierarchical decision process minimizes the security overhead in the normal case, where devices might migrate from network-to-network due to environmental changes or network formation after a power outage. (See [Power Outage Notification, on page 23](#).)

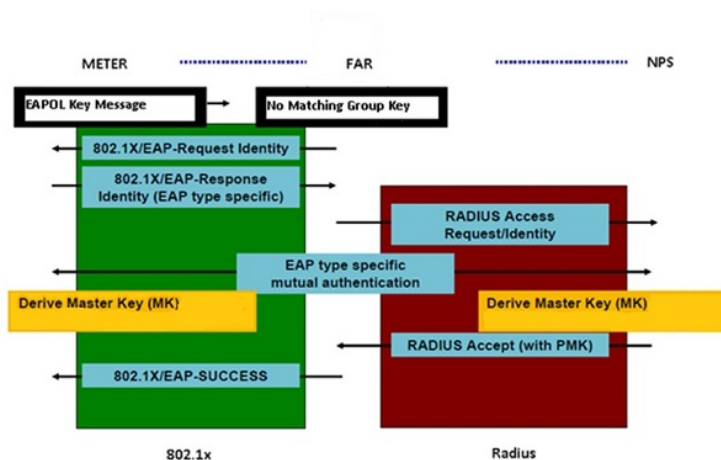
To manage GTKs in a multi-hop mesh network, Cisco Resilient Mesh introduces novel mechanisms for efficiently checking the consistency of the GTK, PTK, and PMKs. Devices include GTK IDs in IEEE 802.15.4 Enhanced Beacons to quickly verify the freshness of their GTKs. If any device detects an inconsistency in the GTK state, it requests updated GTKs from the CGR. In addition, devices include a PTK ID (along with the PMK ID) in GTK request messages sent to the CGR, allowing the CGR to quickly determine whether to initiate a two-way handshake, four-way handshake, or full EAP-TLS authentication. Including GTK, PTK, and PMK IDs in the key management messages significantly reduces the latency in detecting (and thus distributing) updated GTKs to all devices in the network.



Note Client certification and CA certification size must be less than 1040 Byte; Otherwise the the cert is invalid on CG-Mesh device.

The following figure shows the Cisco Resilient Mesh authentication overview:

Figure 8: Cisco Resilient Mesh Authentication Overview

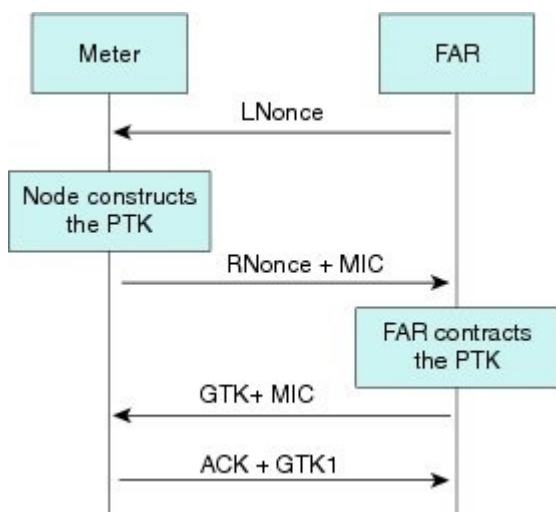


Stages of Authentication

The Cisco Resilient Mesh meter must go through five stages of authentication before it connects with the CGR:

- **Stage 1:** Key information exchange
- **Stage 2:** 8021X/EAP-TLS authentication (ECC cipher suite certificate)
- **Stage 3:** 802.11i four-way handshake—Pairwise Master Key (PMK) confirmation, Pairwise Transient Key (PTK) derivation, and Group Temporal Key (GTK) distribution
- **Stage 4:** Group key handshake
- **Stage 5:** Secure data communications

Figure 9: Four-Way Handshake



Compromised Node Eviction

A compromised node is one where the device can no longer be trusted by the network and/or operators. Nodes within an IEEE 802.15.4 PAN must possess the currently valid Group Temporal Key (GTK) to send and receive link-layer messages. The GTK is shared among all devices within the PAN and is refreshed periodically or on-demand. By only communicating new GTKs to trusted devices, compromised nodes might be evicted from the network.

Cisco Resilient Mesh Security Warm Boot vs. Cold Boot

Authentication for Cisco Resilient Mesh security behaves differently between a warm-boot versus a cold-boot:

- A warm boot is when the meter has a working key, in which case authentication has already been established and the meter joins the mesh quickly.
- A cold boot is when the meter has not yet been authenticated because it is the first time the meter has been authenticated or the meter key has expired.

Dual-PHY WPAN

In a CGR configured with dual-WPAN interfaces, the Dual-PHY WPAN feature enables a WPAN to operate as a slave of a master WPAN. A master WPAN is the same as a regular independent WPAN. Only one slave WPAN can be attached to a master WPAN.



Note The Dual-PHY WPAN feature applies to the CGR IOS release only.

Only the master WPAN has an RPL tree; the slave WPAN has an RPL tree with zero entries. All mesh nodes obtain the IPv6/RPL prefix of the master WPAN. The IPv6/RPL prefix, as well as RPL configurations on the slave WPAN, are ignored. A slave WPAN does not send RPL DODAG Information Object (DIO) messages. Conceptually, the slave WPAN acts only as a NIC at the MAC and PHY layer.

From the point of view of the CGR and IoT FND, all IPv6 and 802.1x/mesh-security traffic flows only through the master WPAN; however, it is correctly routed at the lower layer to the actual master or slave interface. The CGR sees all power outage notification (PON) and power restoration notification (PRN) traffic as flowing only through the master WPAN, even though it may have come from different master or slave interfaces. All traffic statistics are reported under the master WPAN. All non-WPAN commands (**ping**, **traceroute**, **show interface**, etc.) work through the master IPv6 prefix.

The master WPAN shows the link neighbor table for nodes sensed by the master WPAN, and the slave WPAN shows the link neighbor table for nodes sensed by the slave WPAN.

The two WPANs can be mix of RF and PLC. SSIDs do not need to be identical on both WPANs. However, different PANIDs should be configured on each WPAN.

See [Configuring the Dual-PHY Master-Slave Relationship, on page 42](#) for configuration information.

Configuring Cisco Resilient Mesh and the WPAN Module

IoT FND provides the user interface for all Cisco Resilient Mesh configuration and management.

Cisco Resilient Mesh has no CLI and no graphical user interface for configuration or management.

All configuration and management occur only by using IoT FND through the CGR Series WPAN module by using Cisco IOS software commands (Release 15.4(2)CG and greater).



Note Your CGR1000 router must be running Cisco IOS Release 15.7(3)M1 (cgr1000-universalk9-bundle.SPA.157-3.M1.bin) or greater to support the CGM WPAN-OFDM Module.

Configuring the WPAN Interface

At the CGR 1000, configure the WPAN Module interface as follows:

```
cgr1000_wpanmodule# config terminal
cgr1000_wpanmodule(config)# interface wpan <slot|port>
cgr1000_wpanmodule(config-if)#
```

Enabling dot1x, mesh-security, and DHCPv6

You must enable the dot1x (802.1X), mesh-security, and DHCPv6 features to configure the WPAN interface.

To enable these features, use the following command:

```
dot1x system-auth-control
```

For dot1x, the WPAN interface configuration requires:

```
dot1x pae authenticator
```

See [Sample Router Configuration, on page 62](#).

See [show dot1x all details, on page 38](#).

For configuring mesh security, see [Configuring Cisco Resilient Mesh Security, on page 36](#).

For DHCPv6, you will also need in your WPAN running configuration:

```
ipv6 dhcp relay destination <IPv6 address>
```

See [Sample Router Configuration, on page 62](#).

In Cisco IOS on the CGR, various WPAN radio related commands are under the **ieee154** parameter:

```
Router(config-if)#ieee154 ?
 beacon-async IEEE154 async beacon parameters
 channel      Channel (for hw testing use only. 254 is channel hopping)
 dwell        Channel dwell configuration for regional compliance
 notch        Channel notch configuration for regional compliance
 panid        PAN ID
 ssid         SSID
 txpower      Transmission power configuration (hardware dependent)
```

Naming Your PAN

To configure the name of your IEEE 802.15.4 Personal Area Network Identifier (PAN ID), use the following WPAN command:

```
Router(config-if)# ieee154 panid ?
 <0-65535> Enter a value between 0 and 65535
```

```
Router (config-if)# ieee154 panid 2121
```

For sample configuration, see [show wpan config, on page 55](#).

Naming the SSID

The Service Set Identifier (SSID) identifies the owner of the RME. The SSID is set on a RME in manufacturing, and that same SSID must also be configured on the CGR WPAN interface.

To configure the name of the SSID, use the **ssid** command **ieee154 ssid <ssid_name>**, for example:

```
Router(config)# interface wpan 3/1
Router(config-if)# ieee154 ssid ?
WORD ssid string (Max size 32)
Router(config-if)# ieee154 ssid myWPANssid
```

For sample configuration, see [show wpan config, on page 55](#).

Configuring Transmit Power



Note Transmit power must match the local regulation and be aligned with the Cisco Resilient Mesh value, which can be monitored through IoT FND.

The actual maximum possible power emitted by the radio antenna is approximately 28 to 30 dbm. However, this is not directly, nor linearly, mapped to the **txpower** designation in the configuration. The **txpower** in the configuration specifies the **txpower** setting in the physical hardware (chip). However, the radio signal out of the hardware chip must travel through the amplifier, front end, antenna, etc., which causes the output power of the chip to be less than the actual electro-magnetic signal that is emitted into the air.

Values range from 2 (high) to the default value of -34 dBm (low) as shown in [Table 9: Transmit Power: Configured Power Value Versus Actual Power, on page 28](#):

Table 9: Transmit Power: Configured Power Value Versus Actual Power

txpower Value	Configured Power Value (dBm)	Actual Power (dBm)
High	2	28 (For outdoors; the recommended value)
Low	-34	0 (For indoor lab testing)

The range provided in **txpower** configuration is an integer range, which is a superset of all the configurable values available.

```
Router(config-if)# ieee154 txpower ?
<-65 - 64> Enter a value between -65 and 64
*Default value is -34
```

To configure the transmit power for outdoor usage, specify a higher transmit power, such as:

```
Router (config-if)# ieee154 txpower 30
```

For sample configuration, see [show wpan config, on page 55](#).

Naming the Notch

A notch is a list of disabled channels from the 902-to-928 MHz range. If there is no notch at all, then all channels are enabled. If there is a notch [x, y], then channels between x and y are disabled.

Notch configuration must comply with your regional regulations (for example, a notch configuration is not required for U.S.). Notch configuration must match between the WPAN interface of the CGR and the RME.

For sample configuration, see [show wpan config, on page 55](#).



Note A channel list is a list of enabled channels.

You can view the notch by using the following command:

```
Router(config-if)# ieee154 notch ?
<0-63> channel id
Router (config-if)# ieee154 notch 10-15, 30-35
Router (config-if)# end
Router# config in-hardware notch
notch: [10, 15]
notch: [30, 35]
Router# show wpan slot/port hardware channel-list
channellist: 0 1 2 3 4 5 6 7 8 9 16 17 18 19 20 21 22 23 24 25 26 27 28 29 36 37 38 39 40
41 42 43 44 45 46 47 48 49 50 51 52 53 54 55 56 57 58 59 60 61 62 63
```

Configuring the CGM WPAN OFDM Module

The following table shows the CLI interface commands for the CGM WPAN-OFDM Module.

Table 10: Summary of CLI Interface commands for the CGM WPAN OFDM Module

Command	Definition
ieee154 phy-mode <1-255>	Defines the IEEE154 PHY mode. Possible options noted below, default value is 149. 1:Classic; Rate=50 kb/s; Modulation=2FSK; Modulation Index=1.0; FEC=ON; Channel Spacing=200 kHz 17:Classic; Rate=50 kb/s; Modulation=2FSK; Modulation Index=1.0; FEC=OFF; Channel Spacing=200 kHz 2:Classic; Rate=150 kb/s; Modulation=2FSK; Modulation Index=0.5; FEC=ON; Channel Spacing=400 kHz 18:Classic; Rate=150 kb/s; Modulation=2FSK; Modulation Index=0.5; FEC=OFF; Channel Spacing=400 kHz 64:Rate=50 kb/s; Modulation=2FSK; Modulation Index=1.0; FEC=OFF; Channel Spacing=200 kHz 96:Rate=50 kb/s; Modulation=2FSK; Modulation Index=1.0; FEC=ON; Channel Spacing=200 kHz 66:Rate=150 kb/s; Modulation=2FSK; Modulation Index=0.5; FEC=OFF; Channel Spacing=400 kHz 98:Rate=150 kb/s; Modulation=2FSK; Modulation Index=0.5; FEC=ON; Channel Spacing=400 kHz 128:Rate=100 kb/s; Modulation=OFDM; Option=1; MCS=0; Channel Spacing=1200 kHz 129:Rate=200 kb/s; Modulation=OFDM; Option=1; MCS=1; Channel Spacing=1200 kHz 130:Rate=400 kb/s; Modulation=OFDM; Option=1; MCS=2; Channel Spacing=1200 kHz 131:Rate=800 kb/s; Modulation=OFDM; Option=1; MCS=3; Channel Spacing=1200 kHz 132:Rate=1200 kb/s; Modulation=OFDM; Option=1; MCS=4; Channel Spacing=1200 kHz 133:Rate=1600 kb/s; Modulation=OFDM; Option=1; MCS=5; Channel Spacing=1200 kHz 134:Rate=2400 kb/s; Modulation=OFDM; Option=1; MCS=6; Channel Spacing=1200 kHz 144:Rate=50 kb/s; Modulation=OFDM; Option=2; MCS=0; Channel Spacing=800 kHz 146:Rate=200 kb/s; Modulation=OFDM; Option=2; MCS=2; Channel Spacing=800 kHz 147:Rate=400 kb/s; Modulation=OFDM; Option=2; MCS=3; Channel Spacing=800 kHz 149:Rate=800 kb/s; Modulation=OFDM; Option=2; MCS=5; Channel Spacing=800 kHz 150:Rate=1200 kb/s; Modulation=OFDM; Option=2; MCS=6; Channel Spacing=800 kHz 161:Rate=50 kb/s; Modulation=OFDM; Option=3; MCS=1; Channel Spacing=400 kHz 162:Rate=100 kb/s; Modulation=OFDM; Option=3; MCS=2; Channel Spacing=400 kHz 163:Rate=200 kb/s; Modulation=OFDM; Option=3; MCS=3; Channel Spacing=400 kHz 164:Rate=300 kb/s; Modulation=OFDM; Option=3; MCS=4; Channel Spacing=400 kHz 165:Rate=400 kb/s; Modulation=OFDM; Option=3; MCS=5; Channel Spacing=400 kHz 166:Rate=600 kb/s; Modulation=OFDM; Option=3; MCS=6; Channel Spacing=400 kHz 192:Rate=6.25 kb/s; Modulation=OQPSK; Chip Rate=100 kchip/s; Rate Mode=0; Channel Spacing=200 kHz

Command	Definition
ieee154 txpower <-65 -35 >	Enter a value between -65 and 35, where 25 is the default transmission power value.
[no] rpl dag-lifetime <15 -255>	Enter a value between 15 and 255 seconds. Default is 120.
[no] rpl storing-mode	Enter command to enable RPL storing mode on the interface. Enter no rpl storing-mode to disable the command. Note CGR must be reloaded for the rpl storing-mode command to take effect.

Sample Configuration

```
interface Wpan2/1
no ip address
ip broadcast-address 0.0.0.0
no ip route-cache
ieee154 beacon-async min-interval 10 max-interval 20 suppression-coefficient 1
ieee154 dwell window 12400 max-dwell 400
ieee154 panid 106
ieee154 phy-mode 149
ieee154 ssid edgecompute-secure
ieee154 txpower 25
rpl storing-mode
rpl dag-lifetime
rpl dio-dbl 5
rpl dio-min 16
rpl version-incr-time 120
authentication host-mode multi-auth
authentication port-control auto
ipv6 address 2046:FACE::/64
ipv6 dhcp relay destination 2001:FACE::200
no ipv6 pim
```

Configuring Adaptive Modulation

Adaptive modulation enhances the backward compatibility with the classic Cisco Resilient Mesh network and improves the transmitting ability in the classic Cisco Resilient Mesh network. Adaptive modulation is supported on both Wi-SUN and Cisco mesh mode.

The following example shows the configuration of adaptive modulation in Wi-SUN mode:

```
(config)#interface wpan 4/1
(config-if)#ieee154 phy-mode
Supported Phy-Modes:
64:Rate=50 kb/s; Modulation=2FSK; Modulation Index=1.0; FEC=OFF; Channel Spacing=200 kHz
96:Rate=50 kb/s; Modulation=2FSK; Modulation Index=1.0; FEC=ON; Channel Spacing=200 kHz
66:Rate=150 kb/s; Modulation=2FSK; Modulation Index=0.5; FEC=OFF; Channel Spacing=400 kHz
98:Rate=150 kb/s; Modulation=2FSK; Modulation Index=0.5; FEC=ON; Channel Spacing=400 kHz
161:Rate=50 kb/s; Modulation=OFDM; Option=3; MCS=1; Channel Spacing=400 kHz
162:Rate=100 kb/s; Modulation=OFDM; Option=3; MCS=2; Channel Spacing=400 kHz
163:Rate=200 kb/s; Modulation=OFDM; Option=3; MCS=3; Channel Spacing=400 kHz
164:Rate=300 kb/s; Modulation=OFDM; Option=3; MCS=4; Channel Spacing=400 kHz
165:Rate=400 kb/s; Modulation=OFDM; Option=3; MCS=5; Channel Spacing=400 kHz
166:Rate=600 kb/s; Modulation=OFDM; Option=3; MCS=6; Channel Spacing=400 kHz
(config-if)#ieee154 phy-mode 166 165 164 163
```

The Phy mode change causes the following config changes:
channel to 254; notch to none;



Note Adaptive modulation only supports to configure the same OFDM option phymode or the same OFDM option plus FSK phymode.

Use the following command to check PHY mode configuration:

```
#show wlan 4/1 hardware config
```

Configuring Group Multicast

Use the following commands to configure group multicast:

Enable MPL:

```
(config)#fan-mpl domain 0
```

Check the mcast address reported by node:

```
#show wlan 4/1 rpl mcast-info domains
```

```
#show wlan 4/1 rpl mcast-info groups
```

Add multicast agent interface (uplink interface):

```
(config-if)#mcast-agent interface fx/x
```

Add multicast agent port:

```
(config-if)#mcast-agent port
```

Add multicast agent group:

```
(config-if)#mcast-agent group-join ?
X:X:X:X::X multicast group address
```

Check multicast agent port, interface, and groups:

```
#show wlan 4/1 mcast-agent ?
group-join multicast group address
interface mcast-interface
ports Mcast optional ports
```

Configuring RPL

To determine the available RPL functions, query the **rpl** command:

```
Router(config-if)# rpl ?
dag-lifetime      RPL DAG lifetime in minutes
dio-dbl           RPL DIO dbl value
dio-min           RPL DIO min value
route-poisoning   Route poisoning
version-incr-time Version increment time in minutes
```



Note For more information about RPL, refer to "RFC 6550: RPL: IPv6 Routing Protocol for Low-Power and Lossy Networks".

Setting the Minimum Version Increment

To set the minimum time between RPL version increments, use the **version-incr-time** command:

```
Router(config-if)# rpl version-incr-time ?
  <10-600> Enter a value between 10 and 600
Router (config-if)# rpl version-incr-time 15
```

For sample configuration, see [show wpan config, on page 55](#).

Setting the DODAG Lifetime Duration

To set the Destination-Oriented Directed Acyclic Graph (DODAG) lifetime duration, use the **dag lifetime** command. Each node uses the lifetime duration parameter to drive its own operation (such as Destination Advertisement Object (DAO) transmission interval). Also, the CGR uses this lifetime value as the timeout duration for each RPL routing entry.

```
Router(config-if)# rpl dag-lifetime ?
  <60-255> Enter a value between 60 and 255
Router(config-if)# rpl dag-lifetime 120
```

For sample configuration, see [show wpan config, on page 55](#).

Configuring the DODAG Information Object Parameter

To configure the DODAG Information Object (DIO) parameter per the RPL IETF specification, use the **rpl dio-min** command.



Caution This command must only be used by an expert RPL protocol administrator.

```
Router(config-if)# rpl dio-MIN ?
  <14-24> Enter a value between 14 and 24
Router(config-if)# rpl dio-MIN 21
```

For a sample configuration, see [show wpan config, on page 55](#).

To set the DIO double parameter as per the RPL IETF specification, use the **dio-dbl** command. DIO double is a doubling factor parameter used by the RPL protocol.



Caution This command must only be used by an expert RPL protocol administrator.

```
Router(config-if)# rpl dio-dbl ?
  <0-10> Enter a value between 0 and 10
Router(config-if)# rpl dio-dbl 5
```

For sample configuration, see [Sample Router Configuration, on page 62](#).

Configuring IPv6

To determine the available IPv6 functions, query the **ipv6** commands:

```
Router (config-if)# ipv6 ?
```

To enable IPv6 on an interface, use:

```
Router(config-if)# ipv6 enable
```

Configuring IPv6 DHCP Relay

To configure the IPv6 DHCP relay, use the **ipv6 dhcp relay** command:

```
Router (config-if)#ipv6 dhcp relay destination
```

The IPv6 address of the DHCP server displays as:

```
!
interface Wpan3/1
  no ip address
  ip broadcast-address 0.0.0.0
  no ip route-cache
  ieee154 beacon-async min-interval 120 max-interval 900 suppression-coefficient 1
  ieee154 panid 7220
  ieee154 ssid myWPANssid
  rpl dio-dbl 5
  rpl dio-min 21
  rpl route-poisoning
  authentication host-mode multi-auth
  authentication port-control auto
  ipv6 address 2091:1:1:1::/64
  ipv6 enable
  ipv6 dhcp relay destination 2010:A0B0:1001:22::2
  dot1x pae authenticator
end
!
```

See [Sample Router Configuration, on page 62](#).

Configuring Redistribution of RPL in Other Routing Protocols

CGR allows redistribution of the RPL routes including the WPAN prefix as well as the external RPL routes such as MAP-T addresses assigned to DA gateways or prefixes assigned to Application Modules.

Before redistributing RPL in OSPFv3, you must configure OSPFv3 on the uplink tunnel interface:

```
Router (config-if)# router ospfv3 process_id
Router (config-if)# ipv6 ospf process_id area area_id
```

To redistribute RPL in OSPFv3, use the following route-map and router OSPFv3 commands:

```
<!--snip-->
!
interface Loopback0
  ip address 20.211.0.11 255.255.255.255
  ipv6 address 2001:420:7BF:7E8::B/128
  ipv6 enable
  ipv6 ospf 1 area 1
```

```

!
interface Tunnel0
description IPsec tunnel to SOL-ASR-7
ip unnumbered Loopback0
ip pim sparse-mode
ipv6 unnumbered Loopback0
ipv6 enable
ipv6 mld join-group FF38:40:2006:DEAD:BEEF:CAFE:0:1
ipv6 ospf 1 area 1
ipv6 ospf mtu-ignore
tunnel source Dialer1
tunnel destination dynamic
tunnel protection ipsec profile FlexVPN_IPsec_Profile
!
<!--snip-->
!
router ospfv3 1
!
address-family ipv6 unicast
redistribute connected route-map WPAN
router-id 2.0.0.7
exit-address-family
<!--snip--!>
!
!
route-map WPAN permit 10
match interface Wpan5/1
!
<!--snip--!>
CGR-JAF1626AQED#show ipv6 ospf neighbor
      OSPFv3 Router with ID (2.0.0.7) (Process ID 1)
Neighbor ID      Pri   State           Dead Time   Interface ID  Interface
20.0.0.3         0    FULL/  -        00:00:30   27           Tunnel0
CGR-JAF1626AQED#

```

Configuring PON RPL

Use the following command to configure PON RPL:

```

(config-if)#rpl pon ?
dio-dbl    RPL PON DIO dbl value
dio-min    RPL PON DIO min value
instance   Enable RPL PON instance

```

Configuring the Power Outage Server

You can configure the power outage server with the **outage server** command. We recommend an IPv6 address or IPv6 resolvable FQDN of a server.



Note In most cases, the outage server is your IoT FND server.

```

Router (config-if) # outage-server ?
WORD          IPv6 address resolvable hostname
X:X:X:X:X     IPv6 address (aaaa:bbbb:cccc:dddd:eeee:ffff:gggg:hhhh, aaaa::bbb)

```

To configure the power outage server, use one of the following **outage server** commands:

```
Router (config-if)# outage server 2001:c1::8a43:e1ff:fec3:2aa
```

or

```
Router (config-if)# outage server nms.cisco.com
```

For sample configuration, see [Sample Router Configuration](#), on page 62.

Configuring QoS

To specify a QoS service policy, use the **qos service-policy** command.

See the [Quality of Service Solutions Configuration Guide Library, Cisco IOS Release 15M&T](#) for QoS configuration information.

Configuring Cisco Resilient Mesh Security

RMEs use the IEEE 802.1X protocol, known as Extensible Authentication Protocol over LAN (EAPOL), for authentication.

Configuring Mesh Key

```
Router (config-if)# mesh-security ?
  delete  Delete the session(s)
  expire  Force Expire
  set     Set parameters
```

To set the mesh key, use the **mesh-security set mesh-key** command in privileged mode:

```
Router# mesh-security set mesh-key interface wpan <slot>/<port> key ?
  Hex-string Key - even number (max. 32) of hex digits
Router# mesh-security set mesh-key interface wpan 3/1 key 1234567891234567 < --# Your secret key.
```

To configure the mesh key lifetime, use the **mesh-security mesh-key** command in interface configuration mode:



Note Only call this command if you are an expert mesh-security administrator.



Note The Mesh-key lifetime value should be less than 120 days (10368000 seconds).

```
Router(config-if)# mesh-security ?
  authentication-timeout  Set authentication timeout
  keystore-update-period  Set keystore update period
  max-active-authentication  Set number of parallel authentications
  max-active-key-exchange  Set number of parallel key exchanges
  mesh-key                Mesh key
```

```
Router(config-if)# mesh-security mesh-key lifetime ?
  <60-2592000> Key lifetime (in seconds)
```

```
Router (config-if)# mesh-security mesh-key lifetime 60
```



Note Mesh-Security config and keys do not appear in the CGR configuration as shown by **show running-config** or **show startup-config**.

Sample Cisco Resilient Mesh Security Configuration

The following example shows what is required for mesh-security:

```
!
aaa new-model
!
!
aaa group server radius nps-group
  server name nps-radius
!
aaa authentication enable default none
aaa authentication dot1x default group nps-group
<...snip...>
dot1x system-auth-control
!
<...snip...>
!
!
interface Wpan4/1
  no ip address
  ip broadcast-address 0.0.0.0
  no ip route-cache
  ieee80211 beacon-async min-interval 120 max-interval 900 suppression-coefficient 1
  ieee80211 panid 7224
  ieee80211 ssid migration_far2
  ieee80211 txpower -30
  authentication host-mode multi-auth
  authentication port-control auto
  ipv6 address 2092:1:1:1::/64
  ipv6 enable
  ipv6 dhcp relay destination 2010:A0B0:1001:22::2
  dot1x pae authenticator
mesh-security mesh-key lifetime 259200
end
!
!
radius server nps-radius
  address ipv4 <IP address> auth-port 1645 acct-port 1646
  key <RADIUS key>
!
```



Note The MTU setting on the AAA server must be set to 800 bytes or lower, because IEEE802.1x implementation in RMEs limits the MTU to 800 bytes. RADIUS servers can use auth-port 1812 and acct-port 1813 instead of 1645 and 1646, respectively.



Note From Release 6.1, mesh device supports radius server on TLS1.2. On TLS 1.2. the supported cipher suites are:

TLS_ECDHE_ECDSA_WITH_AES_128_CBC_SHA256

TLS_ECDHE_ECDSA_WITH_AES_128_CCM_8

Cisco Resilient Mesh Security Troubleshooting

Use the following commands to troubleshoot Cisco Resilient Mesh:

- [show dot1x all details, on page 38](#)
- [show mesh-security keys, on page 39](#)
- [show mesh-security session all, on page 39](#)
- show mesh-security interface wpan <slot >/<port >

show dot1x all details

To view the configuration and clients of the Cisco Resilient Mesh 802.1X security configuration, use the **show dot1x all details** command:



Note The output for this command shows only new or re-authentications. It will not show nodes that are in the process of warm-starting (and have cached the security credentials).

```
# show dot1x all details
Sysauthcontrol          Enabled
Dot1x Protocol Version      3
Dot1x Info for Wpan4/1
-----
PAE                      = AUTHENTICATOR
PortControl              = AUTO
ControlDirection        = Both
HostMode                 = MULTI_AUTH
QuietPeriod              = 60
ServerTimeout            = 0
SuppTimeout              = 30
ReAuthMax                = 2
MaxReq                   = 2
TxPeriod                 = 30
Dot1x Authenticator Client List
-----
EAP Method               = (13)
Supplicant               = 0108.003c.2303
Session ID                = 640000020000001D00288E5C
    Auth SM State         = AUTHENTICATED
    Auth BEND SM State    = IDLE
EAP Method               = (13)
Supplicant               = 0108.003c.2302
Session ID                = 640000020000001C002854F8
    Auth SM State         = AUTHENTICATED
    Auth BEND SM State    = IDLE
EAP Method               = (13)
Supplicant               = 0108.003c.2304
Session ID                = 640000020000001B0026A39A
```

```

Auth SM State      = AUTHENTICATED
Auth BEND SM State = IDLE
EAP Method         = (13)
SupPLICant        = 0108.003c.2300
Session ID        = 640000020000001A00268108
Auth SM State      = AUTHENTICATED
Auth BEND SM State = IDLE
EAP Method         = (13)
SupPLICant        = 0108.003c.2205
Session ID        = 640000020000001900266D96
Auth SM State      = AUTHENTICATED
Auth BEND SM State = IDLE
EAP Method         = (13)
SupPLICant        = 0108.003c.2305
Session ID        = 64000002000000180026695E
Auth SM State      = AUTHENTICATED
Auth BEND SM State = IDLE

```

show mesh-security keys



Note The output of **show mesh-security-keys** is the result of the mesh-security set-key configuration.

show mesh-security keys

```

Mesh Interface: Wpan3/1
Master Key Lifetime : 120 Days 0 Hours 0 Minutes 0 Seconds
Temporal Key Lifetime: 60 Days 0 Hours 0 Minutes 0 Seconds
Mesh Key Lifetime   : 30 Days 0 Hours 0 Minutes 0 Seconds
Mesh Interface: Wpan4/1
Master Key Lifetime : 120 Days 0 Hours 0 Minutes 0 Seconds
Temporal Key Lifetime: 60 Days 0 Hours 0 Minutes 0 Seconds
Mesh Key Lifetime   : 30 Days 0 Hours 0 Minutes 0 Seconds
Key ID              : 0 *
Key expiry          : Sat Jun 7 16:29:09 2014
Time remaining     : 20 Days 0 Hours 53 Minutes 45 Seconds
Key ID              : 1
Key expiry          : Mon Jul 7 16:29:09 2014
Time remaining     : 50 Days 0 Hours 53 Minutes 45 Seconds
Mesh Interface: Wpan5/1
Master Key Lifetime : 120 Days 0 Hours 0 Minutes 0 Seconds
Temporal Key Lifetime: 60 Days 0 Hours 0 Minutes 0 Seconds
Mesh Key Lifetime   : 30 Days 0 Hours 0 Minutes 0 Seconds
Key ID              : 0 *
Key expiry          : Thu Jun 12 12:59:25 2014
Time remaining     : 24 Days 21 Hours 24 Minutes 1 Seconds
Mesh Interface: Wpan6/1
Master Key Lifetime : 120 Days 0 Hours 0 Minutes 0 Seconds
Temporal Key Lifetime: 60 Days 0 Hours 0 Minutes 0 Seconds
Mesh Key Lifetime   : 30 Days 0 Hours 0 Minutes 0 Seconds
Router#

```

show mesh-security session all

To view the Cisco Resilient Mesh security session details, use the **show mesh-security session all** command:



Note The output for this command shows only new or re-authentications. It will not show nodes that are in the process of warm-starting (and have cached the security credentials).

```
Router# show mesh-security session all
MAC Address      State                Mesh Keys
00:07:81:08:00:3C:25:03  Encryption Enabled  11..
00:17:3B:0B:00:21:00:2F  Encryption Enabled  .1..
00:07:81:08:00:3C:22:02  Encryption Enabled  11..
00:07:81:08:00:3C:25:02  Encryption Enabled  11..
00:07:81:08:00:3C:22:0A  Encryption Enabled  11..
00:07:81:08:00:3C:22:06  Encryption Enabled  11..
00:07:81:08:00:3C:24:05  Encryption Enabled  ....
00:07:81:08:00:3C:24:08  Encryption Enabled  ....
00:07:81:08:00:3C:23:01  Encryption Enabled  11..
```

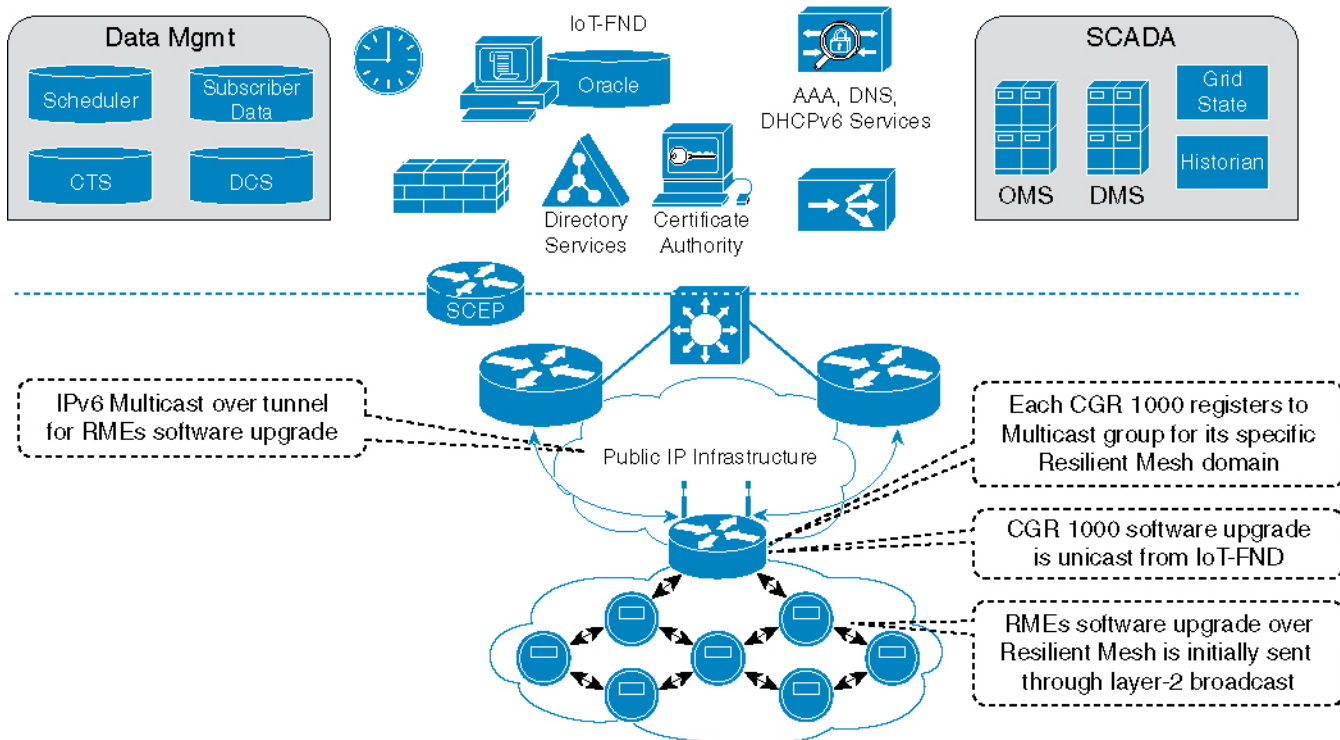
Configuring IPv6 Multicast Agent

You must configure an IPv6 multicast agent to enable multicasting traffic between IoT FND, or the Advanced-Metering Infrastructure (AMI) application server in a Network Operations Center (NOC), and the Cisco Resilient Mesh network.

IPv6-multicasting requires proper configuration on the head-end router (Cisco ASR 1000) as well as on IoT FND and the AMI head-end server.

The following figure shows an IPv6 FAN with a multicast configuration.

Figure 10: Multicast in IPv6 Field-Area Network

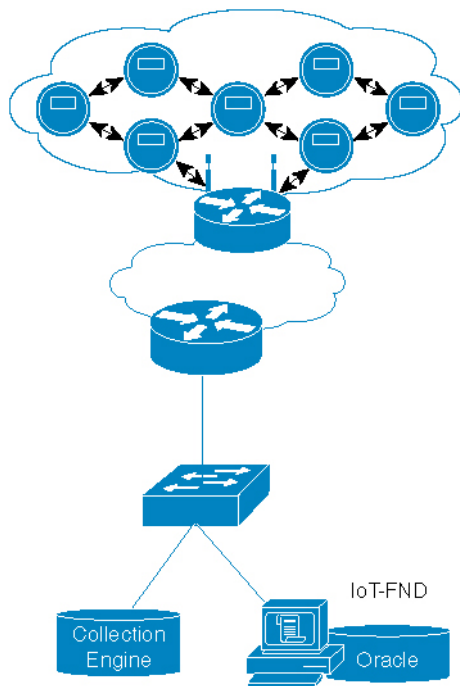


The IPv6 multicast configuration has the following characteristics:

- IPv6 Multicast is used between the IoT FND or CE and the Cisco Resilient Mesh endpoints when performing:
 - Software upgrade of the endpoints
 - Demand reset messages
 - Demand response messages (there could be more than one group for this per meter)
 - Targeted pings (group of meters on a given feeder, for example)
 - Group of meters with the same read time/cycle
- Each PAN is a multicast group with the unicast-prefix-based multicast address (RFC 3306)
- The head-end router routes (PIMv6 SSM) all multicast traffic to the unicast-prefix-based multicast address to the CGR (MLDv2)
- CGR multicast agent receives the multicast

The following guide shows an overview of the Multicast operation in an IPv6 FAN:

Figure 11: Multicast Operation



For sample configuration, see [Sample Router Configuration](#), on page 62.

For more on dot1x, see [show dot1x all details](#), on page 38.

Forwarding Multicast Traffic

There are two ways to forward multicast traffic to a CGR running Cisco IOS from the head-end:

- Configure the CGR as multicast client where the tunnel is configured with **ipv6 mld join-group**.
- Enable IPv6 multicast routing on the and configure it as a PIM6 router. This is the preferred method.

Method 1: Configuring MLD on the IPv6 Tunnel Interface

For this method, configure the CGR tunnel interface with MLD as follows:

```
Router (config)# interface Tunnel100
Router (config-if)# ipv6 mld join-group ff38:40:2001:0db8:beef:cafe:0:1
```

Method 2: Configuring CGR as PIM6 Router

The preferred method of forwarding multicast traffic to the CGR is to enable ipv6 multicast routing on the CGR and configure it as a PIM6 router. Because the unicast-prefix-based multicast address is still needed for WPAN, you must configure it under loopback0 on the CGR, and configure the CGR to become a PIM-neighbor with the ASR head-end.

To configure this method, perform the following steps on the CGR:

Procedure

Step 1 Enable IPv6 multicast-routing:

Example:

```
Router (config)# ipv6 multicast-routing
```

Step 2 Configure MLD under the loopback0:

Example:

```
Router (config-if)# interface loopback 0
Router (config-if)# ipv6 mld join-group ff38:40:2001:0db8:beef:cafe:0:1
```

Step 3 Configure the IPv6 PIM Rendezvous Point (RP):

Example:

```
Router (config)# ipv6 pim rp-address 2333::1
```

Configuring Dual-PHY WPAN

This section describes how to configure the Dual-PHY WPAN feature.

Configuring the Dual-PHY Master-Slave Relationship

Follow this procedure to configure master and slave WPANs on a CGR.

Before you begin

- Do not configure **mesh-security keys** on the slave WPAN.
- You must configure **mesh-security keys** on the master WPAN *after* the slave WPAN is functionally up.

- Leave the **rpl route poisoning** configuration of the slave WPAN unchanged.
- If you want a Cisco Resilient Mesh node to dynamically switch a connection or PAN between different WPAN interfaces (for example, a DUAL-PHY node dynamically switching between RF and PLC), the master and slave WPAN must have same SSID. This is an optional configuration.

This requirement is so the mesh-side node can see two PHYs as being from the same network (SSID) and can dynamically select either interface. The SSIDs can be different on the WPAN and CGR side.



Note Configure master-slave WPANs in the following order; otherwise, the master-slave configuration may not work properly.

Procedure

-
- Step 1** Expire all the mesh-security keys on master and slave WPAN slots.
 - Step 2** Configure both WPANs, slave and master, as if they are two independent WPANs.
 - Step 3** Ensure that you do not enable **rpl route-poisoning** on any WPANs.
 - Step 4** Determine master and slave nodes, and then configure the following on the slave-slot:

Example:

```
(config)# interface wpan <slave-slot>/1
(config-if)# slave-mode <master-slot>
```

- Step 5** If network mesh security mode is enabled, configure the mesh-security key(s) on the master slot. The same mesh-key on the slave WPAN module are enabled internally. On the CGR side, the mesh-security key is associated only with the master slot.
 - Step 6** Reload only the slave module.
-

What to do next

To retain the Dual-PHY master-slave relationship, a CGR requires a sequential reload of first slave and then master WPANs in the following cases, even when the configuration remains unchanged:

- After reload of master slot WPAN
- After reload of slave slot WPAN
- After reload of the CGR
- After an image upgrade of the CGR and subsequent mandatory reload

Master-Slave WPAN Configuration Example

Dual-PHY can have master and slave for PLC and RF WPAN modules. The IPv6 prefix of the master is used for IPv6 addressing of the nodes.

```
Router# show running-config interface wpan 4/1
Building configuration...
Current configuration : 471 bytes
```

```

!
interface Wpan4/1
 no ip address
 ip broadcast-address 0.0.0.0
 no ip route-cache
 ieee154 beacon-async min-interval 120 max-interval 900 suppression-coefficient 1
 ieee154 panid 7224
 ieee154 ssid migration_far2
 ieee154 txpower -30
 authentication host-mode multi-auth
 authentication port-control auto
 ipv6 address 2092:1:1:1::/64
 ipv6 enable
 ipv6 dhcp relay destination 2010:A0B0:1001:22::2
 dot1x pae authenticator
 mesh-security mesh-key lifetime 259200
end

```

```
Router# show running-config interface wpan 5/1
```

```
Building configuration...
```

```
Current configuration : 481 bytes
```

```

!
interface Wpan5/1
 no ip address
 ip broadcast-address 0.0.0.0
 no ip route-cache
 ieee154 beacon-async min-interval 120 max-interval 900 suppression-coefficient 1
 ieee154 panid 7215
 ieee154 ssid plcl23
 slave-mode 4
 rpl dag-lifetime 240
 rpl dio-min 21
 rpl version-incr-time 240
 authentication host-mode multi-auth
 authentication port-control auto
 ipv6 address 2091:1:1:1::/64
 ipv6 enable
 ipv6 dhcp relay destination 2010:A0B0:1001:22::2
 dot1x pae authenticator
end

```

```
Router#
```

show commands for Master-Slave WPANs

You can use the following **show wpan** commands to trace nodes in a Dual-PHY master-slave configuration:

- **show wpan <master slot>/1 rpl itable**—Shows information for the actual slot from which RPL DAOs originated.
- **show wpan <master slot>/1 rpl stable**—Shows slave slot information for the actual slot from which RPL DAOs originated.
- **show wpan <master slot>/1 rpl stree**—Shows the link type (or slave slot information) for each node in the RPL tree.
- **show wpan <master slot>/1 eap-table**—Shows slave slot information for the actual slot from which IEEE802.1x traffic originated.
- All configurations and **show** commands related to the physical layer or the WPAN module hardware remain as is; **show wpan <slot>/1 hardware *** remains the same, per the actual physical slot.

```
Router# show wpan 4/1 link-neighbors table
```

```

----- WPAN LINK NEIGHBOR TABLE [4] -----
EUI64          RSSIF  RSSIR  LQIF  LQIR  FIRST_HEARD  LAST_HEARD
00078108003C2200  -70   -78   58    9    12:02:18    14:08:02

```

00078108003C2201	n/a	-75	n/a	18	13:05:15	13:53:48
00078108003C2202	-72	-74	35	64	11:51:40	14:06:09
00078108003C2203	-73	-76	9	17	11:51:55	14:07:28
00078108003C2204	-71	-75	35	23	12:02:34	14:01:45
00078108003C2205	-74	-77	18	16	12:02:12	14:06:04
00078108003C2206	-73	-74	19	26	12:02:08	14:08:12
00078108003C2207	-72	-70	15	75	13:04:39	14:03:56
00078108003C2209	-73	-77	45	36	11:58:20	14:02:20
00078108003C220A	-74	-75	5	27	12:13:40	14:07:48

Number of Entries in WPAN LINK NEIGHBOR TABLE: 10

Router# show wpan 5/1 link-neighbors table

----- WPAN LINK NEIGHBOR TABLE [5]

EUI64	RSSIF	RSSIR	LQIF	LQIR	MODF	MODR	TXGAINF	TXGAINR	TXRESF	TXRESR	TMF
TXCOEFF	TXCOEFFR	DPHASE	APHASE	LOCKF	LOCKR	LAST_HEARD					
000781FE0000012C	114	114	95	95	D8PSK	D8PSK	1	1	6	6	1F
3F	0000FFFFFFFF	0000FFFFFFFF	3	5	0	0	14:05:00				
000781FE0000012D	114	114	96	96	D8PSK	D8PSK	1	1	6	6	3F
3F	0000FFFFFFFF	0000FFFFFFFF	3	5	0	0	13:55:54				
000781FE0000012E	114	114	104	104	D8PSK	D8PSK	1	1	6	6	3F
3F	0000FFFFFFFF	0000FFFFFFFF	3	5	0	0	14:08:39				
000781FE0000012F	114	114	120	120	D8PSK	D8PSK	1	1	6	6	3F
3F	0000FFFFFFFF	0000FFFFFFFF	3	5	0	0	14:07:15				
000781FE00000130	114	114	101	101	D8PSK	D8PSK	1	1	6	6	1F
3F	0000FFFFFFFF	0000FFFFFFFF	3	5	0	0	13:59:39				

Number of Entries in WPAN LINK NEIGHBOR TABLE: 5

Router#

Router#

Router# show wpan 4/1 rpl table

----- WPAN RPL ROUTE TABLE [4] -----

NODE_IPADDR	NEXTHOP_IP	LAST_HEARD
2092:1:1:1:AAAA:8108:3C:2200	2092:1:1:1:AAAA:8108:3C:2203	13:47:54
2092:1:1:1:AAAA:8108:3C:2201	2092:1:1:1:AAAA:8108:3C:2204	13:45:25
2092:1:1:1:AAAA:8108:3C:2202	2092:1:1:1::	13:48:53
2092:1:1:1:AAAA:8108:3C:2203	2092:1:1:1::	13:49:42
2092:1:1:1:AAAA:8108:3C:2204	2092:1:1:1::	13:44:41
2092:1:1:1:AAAA:8108:3C:2205	2092:1:1:1::	13:58:26
2092:1:1:1:AAAA:8108:3C:2206	2092:1:1:1::	13:58:15
2092:1:1:1:AAAA:8108:3C:2209	2092:1:1:1::	14:01:42
2092:1:1:1:AAAA:8108:3C:220A	2092:1:1:1::	13:57:39
2092:1:1:1:AAAA:8108:3C:2300	2092:1:1:1:AAAA:8108:3C:2206	14:05:12
2092:1:1:1:AAAA:8108:3C:2301	2092:1:1:1:AAAA:8108:3C:2206	13:37:31
<!--snip--!>		
2092:1:1:1:AAAA:8108:3C:240A	2092:1:1:1:AAAA:8108:3C:2303	14:03:54
2092:1:1:1:AAAA:8108:3C:240B	2092:1:1:1:AAAA:8108:3C:2301	13:35:32
2092:1:1:1:AAAA:81FE:0:12C	2092:1:1:1::	13:51:17
2092:1:1:1:AAAA:81FE:0:12D	2092:1:1:1::	13:55:54
2092:1:1:1:AAAA:81FE:0:12E	2092:1:1:1::	14:01:06
2092:1:1:1:AAAA:81FE:0:12F	2092:1:1:1::	13:53:45
2092:1:1:1:AAAA:81FE:0:130	2092:1:1:1::	13:59:39

Number of Entries in WPAN RPL ROUTE TABLE: 36

Router#

Router#

Router# show wpan 4/1 rpl itable

----- WPAN RPL IPROUTE INFO TABLE [4] -----

NODE_IPADDR	RSSIR	RSSIF	HOPS	PARENTS	SSLOT	RANK	VERSION	NEXTHOP_IP	ETX_P	ETX_L
2092:1:1:1:AAAA:8108:3C:2200	-50	-512	3	4	523	4		2092:1:1:1:AAAA:8108:3C:2203	263	256
2092:1:1:1:AAAA:8108:3C:2201	-47	-562	3	4	527	3		2092:1:1:1:AAAA:8108:3C:2203	265	256
2092:1:1:1:AAAA:8108:3C:2202	-77	-771	3	4	333	4		2092:1:1:1::	0	333
2092:1:1:1:AAAA:8108:3C:2203					269	4		2092:1:1:1::	0	265

```

-70      -721      1      4
2092:1:1:1:AAAA:8108:3C:2204      290      4      2092:1:1:1::      0      285
-70      -731      2      4
2092:1:1:1:AAAA:8108:3C:2205      292      4      2092:1:1:1::      0      287
-72      -721      3      4
2092:1:1:1:AAAA:8108:3C:2206      256      4      2092:1:1:1::      0      256
-74      -751      1      4
2092:1:1:1:AAAA:8108:3C:2209      366      4      2092:1:1:1::      0      352
-71      -761      3      4
2092:1:1:1:AAAA:8108:3C:220A      345      4      2092:1:1:1::      0      345
-73      -751      3      4
2092:1:1:1:AAAA:8108:3C:2300      512      4      2092:1:1:1:AAAA:8108:3C:2206      258      256
-72      -692      3      4
2092:1:1:1:AAAA:8108:3C:2301      512      4      2092:1:1:1:AAAA:8108:3C:2206      258      256
-76      -782      3      4
<!--truncated--!>
2092:1:1:1:AAAA:81FE:0:12C      302      4      2092:1:1:1::      0      291
116      1161      1      5
2092:1:1:1:AAAA:81FE:0:12D      309      4      2092:1:1:1::      0      302
116      1161      2      5
2092:1:1:1:AAAA:81FE:0:12E      331      4      2092:1:1:1::      0      321
116      1161      3      5
2092:1:1:1:AAAA:81FE:0:12F      348      4      2092:1:1:1::      0      336
116      1161      3      5
2092:1:1:1:AAAA:81FE:0:130      342      4      2092:1:1:1::      0      321
116      1161      3      5

```

Number of Entries in WPAN RPL IPRROUTE INFO TABLE: 36

Router#

Router# **show wpan 4/1 rpl stable**

```

----- WPAN RPL ROUTE SLOT TABLE [4] -----
NODE_IPADDR      NEXTHOP_IP      SSILOT      LAST_HEARD
2092:1:1:1:AAAA:8108:3C:2200      2092:1:1:1:AAAA:8108:3C:2203      4      15:12:29
2092:1:1:1:AAAA:8108:3C:2201      2092:1:1:1:AAAA:8108:3C:2203      4      14:43:10
2092:1:1:1:AAAA:8108:3C:2202      2092:1:1:1::      4      15:16:55
2092:1:1:1:AAAA:8108:3C:2203      2092:1:1:1::      4      15:13:21
2092:1:1:1:AAAA:8108:3C:2204      2092:1:1:1::      4      14:48:37
2092:1:1:1:AAAA:8108:3C:2205      2092:1:1:1::      4      15:05:00
2092:1:1:1:AAAA:8108:3C:2206      2092:1:1:1::      4      15:01:05
2092:1:1:1:AAAA:8108:3C:2209      2092:1:1:1::      4      15:06:11
2092:1:1:1:AAAA:8108:3C:220A      2092:1:1:1::      4      14:58:23
2092:1:1:1:AAAA:8108:3C:2300      2092:1:1:1:AAAA:8108:3C:2206      4      15:05:55
2092:1:1:1:AAAA:8108:3C:2301      2092:1:1:1:AAAA:8108:3C:2206      4      15:04:19
2092:1:1:1:AAAA:8108:3C:2302      2092:1:1:1:AAAA:8108:3C:2206      4      14:56:48
<!--snip--!>
2092:1:1:1:AAAA:81FE:0:12C      2092:1:1:1::      5      14:53:32
2092:1:1:1:AAAA:81FE:0:12D      2092:1:1:1::      5      14:50:57
2092:1:1:1:AAAA:81FE:0:12E      2092:1:1:1::      5      15:06:24
2092:1:1:1:AAAA:81FE:0:12F      2092:1:1:1::      5      15:15:45
2092:1:1:1:AAAA:81FE:0:130      2092:1:1:1::      5      15:03:24

```

Number of Entries in WPAN RPL ROUTE SLOT TABLE: 36 (external 0) (RF 31) (PLC 5)

Router# **show wpan 4/1 rpl stree**

```

----- WPAN RPL SLOT TREE [4] -----
[2092:1:1:1:]
  \--(RF )-- 2092:1:1:1:AAAA:8108:3C:2202
  \--(RF )-- 2092:1:1:1:AAAA:8108:3C:2203
    \--(RF )-- 2092:1:1:1:AAAA:8108:3C:2200
    \--(RF )-- 2092:1:1:1:AAAA:8108:3C:2201
  \--(RF )-- 2092:1:1:1:AAAA:8108:3C:2204
  \--(RF )-- 2092:1:1:1:AAAA:8108:3C:2205
  \--(RF )-- 2092:1:1:1:AAAA:8108:3C:2206
    \--(RF )-- 2092:1:1:1:AAAA:8108:3C:2300
    \--(RF )-- 2092:1:1:1:AAAA:8108:3C:2301
      \--(RF )-- 2092:1:1:1:AAAA:8108:3C:2406

```

```

        \--(RF )-- 2092:1:1:1:AAAA:8108:3C:2408
\--(RF )-- 2092:1:1:1:AAAA:8108:3C:2302
\--(RF )-- 2092:1:1:1:AAAA:8108:3C:2303
        \--(RF )-- 2092:1:1:1:AAAA:8108:3C:2407
        \--(RF )-- 2092:1:1:1:AAAA:8108:3C:240A
\--(RF )-- 2092:1:1:1:AAAA:8108:3C:2304
        \--(RF )-- 2092:1:1:1:AAAA:8108:3C:2400
        \--(RF )-- 2092:1:1:1:AAAA:8108:3C:2403
        \--(RF )-- 2092:1:1:1:AAAA:8108:3C:2404
\--(RF )-- 2092:1:1:1:AAAA:8108:3C:2305
\--(RF )-- 2092:1:1:1:AAAA:8108:3C:2307
        \--(RF )-- 2092:1:1:1:AAAA:8108:3C:2402
        \--(RF )-- 2092:1:1:1:AAAA:8108:3C:2405
\--(RF )-- 2092:1:1:1:AAAA:8108:3C:2308
\--(RF )-- 2092:1:1:1:AAAA:8108:3C:2309
        \--(RF )-- 2092:1:1:1:AAAA:8108:3C:240B
\--(RF )-- 2092:1:1:1:AAAA:8108:3C:230A
\--(RF )-- 2092:1:1:1:AAAA:8108:3C:230B
        \--(RF )-- 2092:1:1:1:AAAA:8108:3C:2409
\--(RF )-- 2092:1:1:1:AAAA:8108:3C:2209
\--(RF )-- 2092:1:1:1:AAAA:8108:3C:220A
\--(PLC)-- 2092:1:1:1:AAAA:81FE:0:12C
\--(PLC)-- 2092:1:1:1:AAAA:81FE:0:12D
\--(PLC)-- 2092:1:1:1:AAAA:81FE:0:12E
\--(PLC)-- 2092:1:1:1:AAAA:81FE:0:12F
\--(PLC)-- 2092:1:1:1:AAAA:81FE:0:130
RPL SLOT TREE: Num.DataEntries 36, Num.GraphNodes 37 (external 0) (RF 31) (PLC 5)

```

Removing the Dual-PHY Master-Slave WPAN Configuration

This section describes how to remove the Dual-PHY master-slave relationship on a WPAN.

Before you begin

- Use **show wpan 5/1 config** to verify that the slave module is currently configured as slave.
- If the slave WPAN does not already have an IPv6 prefix assigned, assign a new IPv6 prefix while still in slave mode; for example, **ipv6 address 2091:1:1:1::/64**.
- Use **show mesh-security keys** to verify that the slave module has no mesh-security keys configured. (See detailed CLI output below.)

To remove an existing master-slave relationship between two WPANs, follow this procedure in exactly the sequence shown. The example in this procedure uses WPAN 4/1 as master and WPAN 5/1 as slave.

Procedure

Step 1 From the interface config mode of the slave WPAN, enter **no slave-mode** *<master-slot-number>*:

Example:

```

Router# config t
Router(config)# interface wpan 5/1
Router(config-if)# no slave-mode 4
Router(config-if)# end

```

Step 2 Reload the slave module by powering off and then powering on:

Example:

```
Router# config t
Router(config)# hw poweroff 5
```

Wait for WPAN power down messages, and then wait another 60-90 seconds. Then, power up the module:

Example:

```
Router(config)# no hw poweroff 5
```

Wait for WPAN power on messages, and then wait another 60-90 seconds before proceeding.

- Step 3** Add mesh-security keys for the slaves. (The slave module should not have its own mesh-security keys when in the master-slave relationship.)

Example:

```
Router# mesh-security set mesh-key interface wpan 5/1 key 5551
Key ID      : 0
Key expiry  : Sat Jun 21 12:55:43 2014
Router# mesh-security set mesh-key interface wpan 5/1 key 5552
Key ID      : 1
Key expiry  : Mon Jul 21 12:55:43 2014
```

You can add up to four mesh-keys for the WPAN slot.

- Step 4** Check the status of the WPAN previously configured as slave using the following commands:

Example:

```
Router# show run interface wpan 5/1
Router# show wpan 5/1 hardware config
Router# show wpan 5/1 link-neighbor table
Router# show wpan 5/1 rpl table
Router# show wpan 5/1 rpl stable
```

See [Removing Master-Slave Relationship Configuration Example, on page 48](#) for sample command output.

Removing Master-Slave Relationship Configuration Example

This section shows example output from the commands to remove the master-slave relationship between two CGR WPAN modules. In this example, the master WPAN module is in slot 4, and the slave WPAN module is in slot 5.

Checking Existing Configuration of the Master and Slave Modules

```
Router# show run interface wpan 4/1

!<<<<---- #Initially configured as master WPAN
Building configuration...
Current configuration : 471 bytes
!
interface Wpan4/1
 no ip address
 ip broadcast-address 0.0.0.0
```



```
no ip route-cache
ieee154 beacon-async min-interval 120 max-interval 900 suppression-coefficient 1
ieee154 panid 7224
ieee154 ssid migration_far2
ieee154 txpower -30
authentication host-mode multi-auth
authentication port-control auto
ipv6 address 2092:1:1:1::/64
ipv6 enable
ipv6 dhcp relay destination 2010:A0B0:1001:22::2
dot1x pae authenticator
mesh-security mesh-key lifetime 259200
end
```

Router# **show run interface wpan 5/1**

```
!<<<<---- #Initially configured as slave
Building configuration...
Current configuration : 481 bytes
!
interface Wpan5/1
no ip address
ip broadcast-address 0.0.0.0
no ip route-cache
ieee154 beacon-async min-interval 120 max-interval 900 suppression-coefficient 1
ieee154 panid 7215
ieee154 ssid plc123
```

slave-mode 4

```
!<<<<---- #WPAN 5/1 has a master WPAN in slot 4
rpl dag-lifetime 240
rpl dio-min 21
rpl version-incr-time 240
authentication host-mode multi-auth
authentication port-control auto
ipv6 address 2091:1:1:1::/64
ipv6 enable
ipv6 dhcp relay destination 2010:A0B0:1001:22::2
dot1x pae authenticator
end
```

Check configuration of the slave module where **slave mode** displays the master-slot number as shown below:

```
Router# show wpan 5/1 config
module type: PLC-WPAN (IEEE P1901.2 PLC)
ssid: plc123
panid: 7215
transmit power: 32
ref-phase: 1
tonemap: unlocked (not used)
phy_params: 1 (ceneleca) 00000000FFFFFFFF
beacon async: min-interval 120 max-interval 900 suppression-coefficient 1
security mode: 1
test mode: 0 (test firmware only)
admin_status: up
rpl prefix: 2091:1:1:1::/64
rpl route-poisoning: off
rpl dodag-lifetime: 240
rpl dio-dbl: 0
rpl dio-min: 21
rpl version-incr-time: 240
detach bridge: no
```

```
bootloader mode:      no
mcast-agent:         FF38:40:2091:1:1:1:0:1 61624 1153
firmware version:    5.5.48
slave mode:          4
(slot 5 is attached to master slot 4)
```

Removing Slave Mode from Slave WPAN Configuration

```
Router#conf t
Enter configuration commands, one per line.  End with CNTL/Z.
Router(config)# interface wpan 5/1
Router(config-if)# no slave-mode 4

!<<<<----- #Ends slave mode to master-slot 4
Router(config-if)# end
Router#
```

Reloading the Slave WPAN

```
Router(config)# hw poweroff 5
Router(config)#
*May 22 12:42:15.511 PST: %CGR1K_SYS-5-MODULE_POWER_DOWN: Module in slot 5 is powered down.
Router(config)#
*May 22 12:42:17.539 PST: %LINK-3-UPDOWN: Interface Wpan5/1, changed state to down
*May 22 12:42:18.539 PST: %LINEPROTO-5-UPDOWN: Line protocol on Interface Wpan5/1, changed state to down
Router(config)#
Router(config)# no hw poweroff 5
*May 22 12:43:38.763 PST: %CGR1K_SYS-5-MODULE_POWER_UP: Module in slot 5 is powered up.
Router(config)#
*May 22 12:43:56.591 PST: %LINK-3-UPDOWN: Interface Wpan5/1, changed state to up
*May 22 12:43:57.591 PST: %LINEPROTO-5-UPDOWN: Line protocol on Interface Wpan5/1, changed state to up
Router(config)# end
```

Adding Mesh-Security keys for WPAN 5/1

```
Router# mesh-security set mesh-key interface wpan 5/1 key 5551
Key ID      : 0
Key expiry  : Sat Jun 21 12:55:43 2014
Router# mesh-security set mesh-key interface wpan 5/1 key 5552
Key ID      : 1
Key expiry  : Mon Jul 21 12:55:43 2014
```



Note There can be up to four mesh-security keys configured for a WPAN slot.

Verifying that the WPAN is no Longer Configured as Slave

```
Router# show run interface wpan 5/1
Building configuration...
Current configuration : 467 bytes
!
interface Wpan5/1
```

```
no ip address
ip broadcast-address 0.0.0.0
no ip route-cache
ieee154 beacon-async min-interval 120 max-interval 900 suppression-coefficient 1
ieee154 panid 7215
ieee154 ssid plc123
rpl dag-lifetime 240
rpl dio-min 21
rpl version-incr-time 240
authentication host-mode multi-auth
authentication port-control auto
ipv6 address 2091:1:1:1::/64
ipv6 enable
ipv6 dhcp relay destination 2010:A0B0:1001:22::2
dot1x pae authenticator
```

end

Router#

Router# **show wpan 5/1 config**

```
module type:      PLC-WPAN (IEEE P1901.2 PLC)
ssid:             plc123
panid:            7215
transmit power:  32
ref-phase:        1
tonemap:          unlocked (not used)
phy_params:       1 (ceneleca) 00000000FFFFFFFF
beacon async:    min-interval 120 max-interval 900 suppression-coefficient 1
security mode:    1
test mode:        0 (test firmware only)
admin_status:     up
rpl prefix:       2091:1:1:1::/64
rpl route-poisoning: off
rpl dodag-lifetime: 240
rpl dio-dbl:      0
rpl dio-min:      21
rpl version-incr-time: 240
detach bridge:    no
bootloader mode:  no
mcast-agent:      FF38:40:2091:1:1:1:0:1 61624 1153
firmware version: 5.5.48
slave mode:       no
```

Router#

Router# **show mesh-security keys**

```
Mesh Interface: Wpan4/1
Master Key Lifetime : 12 Days 0 Hours 0 Minutes 0 Seconds
Temporal Key Lifetime: 6 Days 0 Hours 0 Minutes 0 Seconds
Mesh Key Lifetime   : 3 Days 0 Hours 0 Minutes 0 Seconds
Key ID              : 0 *
Key expiry          : Sat May 24 11:51:35 2014
Time remaining     : 1 Days 22 Hours 55 Minutes 39 Seconds
Key ID              : 1
Key expiry          : Tue May 27 11:51:35 2014
Time remaining     : 4 Days 22 Hours 55 Minutes 39 Seconds
Key ID              : 2
Key expiry          : Fri May 30 11:51:35 2014
Time remaining     : 7 Days 22 Hours 55 Minutes 39 Seconds
Key ID              : 3
Key expiry          : Mon Jun  2 11:51:35 2014
Time remaining     : 10 Days 22 Hours 55 Minutes 39 Seconds
Mesh Interface: Wpan5/1
Master Key Lifetime : 120 Days 0 Hours 0 Minutes 0 Seconds
Temporal Key Lifetime: 60 Days 0 Hours 0 Minutes 0 Seconds
Mesh Key Lifetime   : 30 Days 0 Hours 0 Minutes 0 Seconds
Key ID              : 0 *
Key expiry          : Sat Jun 21 12:55:43 2014
```

```
Time remaining : 29 Days 23 Hours 59 Minutes 47 Seconds
Key ID         : 1
Key expiry     : Mon Jul 21 12:55:43 2014
Time remaining : 59 Days 23 Hours 59 Minutes 47 Seconds
Router#
```

Verifying that WPAN 5/1 Forms Own RPL Table

```
Router# show wpan 5/1 rpl table
```

```
----- WPAN RPL ROUTE TABLE [5] -----
NODE_IPADDR      NEXTHOP_IP    LAST_HEARD
2091:1:1:1:AAAA:81FE:0:12C  2091:1:1:1::  13:42:17
2091:1:1:1:AAAA:81FE:0:12D  2091:1:1:1::  13:40:47
2091:1:1:1:AAAA:81FE:0:12F  2091:1:1:1::  13:41:59
Number of Entries in WPAN RPL ROUTE TABLE: 3
```

Notice above RMEs showing IPv6 address based on the WPAN 5/1 prefix.

```
Router# show wpan 5/1 rpl stable
```

```
----- WPAN RPL ROUTE SLOT TABLE [5] -----
NODE_IPADDR      NEXTHOP_IP    SSLOT  LAST_HEARD
2091:1:1:1:AAAA:81FE:0:12C  2091:1:1:1::  5 13:42:17
2091:1:1:1:AAAA:81FE:0:12D  2091:1:1:1::  5 13:40:47
2091:1:1:1:AAAA:81FE:0:12F  2091:1:1:1::  5 13:41:59
Number of Entries in WPAN RPL ROUTE SLOT TABLE: 3 (external 0) (RF 0) (PLC 3)
```

Notice above RMEs showing slot 5 for the WPAN 5/1.

Verifying the IPv6 Path to WPAN 5/1 Nodes

```
Router# ping 2091:1:1:1:AAAA:81FE:0:12C
```

```
Type escape sequence to abort.
Sending 5, 100-byte ICMP Echos to 2091:1:1:1:AAAA:81FE:0:12C, timeout is 2 seconds:
!!!!
Success rate is 100 percent (5/5), round-trip min/avg/max = 256/268/276 ms
Router#
```

Configuring DTLS Relay for EST

The Cisco Resilient Mesh uses EST over CoAP/DTLS/UDP for certificate enrollment. During the initial bootstrapping process, nodes that have already joined the network (enrolled and authenticated) act as DTLS relays for nodes being bootstrapped.

Use the following command to configure DTLS relay:

```
CGR#configure terminal
CGR(config)#interface wpan 4/1

CGR(config-if)#dtls-relay ?
X:X:X:X:X IPv6 address (aaaa:bbbb:cccc:dddd:eeee:ffff:gggg:hhhh, aaaa::bbb)

CGR(config-if)#dtls-relay 2060:FACD::6 ?
lifetime      specify session lifetime
max-sessions  specify maximum number of sessions
port          destination port
```

Example

```
CGR(config-if)#dtls-relay 2060:FACD::6 port 61629 max-sessions 10 lifetime 300
```

Use the following show command to verify the configuration:

```
#show wlan 4/1 config
Module Type: RF-WPAN (IEEE 802.15.4e/g RF OFDM)
ssid: 510P1-lzhao3
panid: 925
phy_mode: 149
band-id: 4
transmit power: 15
channel: 254
dwell: window 12400 max-dwell 400
fec: n/a
beacon async: min-interval 15 max-interval 60 suppression-coefficient 1
security mode: 1
test mode: 0 (test firmware only)
admin_status: up
rpl prefix: 2022:AAAA::10/64
rpl route-poisoning: off
rpl dodag-lifetime: 15
rpl dio-dbl: 1
rpl dio-min: 14
rpl version-incr-time: 10
detach bridge: no
bootloader mode: no
mcast-agent: FF38:40:2022:AAAA::1 61624 61628 1153
firmware version: 6.1(6.1.27)
slave mode: no
wisun mode: no
ieee154 beacon ver incr time: 60 seconds
DTLS Relay: 2060:FACD::6 max-sessions 10 lifetime 300
```

Configuring Wi-SUN Mode

Wi-SUN mode is supported from Cisco Resilient Mesh Release 6.1.

To enable Wi-SUN mode, use the following command under interface configuration mode:

```
(config-if)#wisun-mode
```

**Note**

- Changing wisun-mode requires module reload.
- In Wi-SUN mode, storing mode is not supported.
- In Wi-SUN mode, the mesh key should be reconfigured after changing PANID.

Use the following command to configure wisun ucast dwell, bcast dwell, and bcast interval under WPAN interface:

```
(config-if)#ieee154 wisun-dwell ucast-dwell-int <125> bcast-dwell-int <125> bcast-int <500>
```



Note For Release 6.1 Wi-SUN mode, you need to configure phy mode 66 or 64. For Release 6.2 Wi-SUN mode, you need to configure phy mode 40 or 42.

When CGR is in Wi-SUN mode, if there are nodes in the WPAN route table and route poisoning is not enabled, changing PANID will enable temporary RPL poisoning. It will be disabled automatically. The new panid will take affect after 3 DIO messages are sent.

Verifying Connectivity to the CGR

To verify connectivity to the CGR before querying the system, use the **ping** command in EXEC mode:

```
# Router# ping ?
WORD      Ping destination address or hostname
atm       ATM echo
clns      CLNS echo
ethernet  Ethernet echo
ip        IP echo
ipv6     IPv6 echo
mpls     MPLS echo
sna      SNA APING transaction program
srb      srb echo
tag      Tag encapsulated IP echo
<cr>
```

To discover the routes that packets will actually take when traveling to their destination across an IPv6 network, use the **traceroute ipv6** command in EXEC mode.

```
# traceroute ipv6 [host-name|ip-address]
```

show Command Examples

Use the following command to view all WPAN **show** commands:

```
Router# show wpan 4/1 ?
config          Configuration information
data-rate       Data rate during last 1 minute
eap-table       Recent EAP node table
hardware        Hardware information
ieee154         IEEE 802.15.4 related information
ieeepl9012     IEEE P1901.2 related information
link-neighbors  Layer 3 link neighbor information
module-type     Module type (RF or PLC)
oui-table       OUI mapping table for 8-to-6 MAC address translation
                (EUI64 <-->IEEE MAC)
outage-server   WPAN outage server
outage-table    WPAN outage table
packet-count    Packet counts
restoration-table WPAN restoration table
rpl             RPL related information
service-state   WPAN service state
slave-mode      Slave mode
```

This section covers the following RPL and WPAN **show** commands:

- [show wpan config, on page 55](#)

- [show wpan hardware](#), on page 55
- [show wpan packet-count](#), on page 57
- [show wpan link-neighbors](#), on page 58
- [show wpan outage](#), on page 59
- [show wpan restoration-table](#), on page 59
- [show wpan rpl](#), on page 59

show wpan config

```
Router# show wpan 4/1 config
module type:      RF-WPAN (IEEE 802.15.4e/g RF 900MHz)
ssid:             migration_far2      <-- #See Naming the SSID, on page 28.
panid:           7224                 <-- #See Naming Your PAN, on page 27.
transmit power:  -30                  <-- #See Configuring Transmit Power, on page 28.
channel:         254                  <-- #Channel hopping setting
dwell:           window 20000 max-dwell 400
beacon async:    min-interval 120 max-interval 900 suppression-coefficient 1
security mode:   1
test mode:       0 (test firmware only)
admin_status:    up
rpl prefix:      2092:1:1:1::/64
rpl route-poisoning: off
rpl dodag-lifetime: 120
rpl dio-dbl:     0
rpl dio-min:     20
rpl version-incr-time: 60
detach bridge:   no
bootloader mode: no
mcast-agent:     FF38:40:2092:1:1:1:0:1 61624 1153
firmware version: 5.5.48
slave mode:      no
```

show wpan hardware

To view the WPAN configuration that resides on the WPAN hardware, use the **show wpan <slot >/1 hardware configuration** command:

```
Router# show wpan 4/1 hardware hwversion
hardware version: Itron OWCM
Hardware rev : 3.1
Model name   : OWCM
Hardware ID  : RFLAN/3.60/3.80
Router# show wpan 4/1 hardware version
firmware version: 5.5.48, apps/bridge, master, 4b89e37, Apr  4
Router# show wpan 4/1 hardware config
serial number:  FF-FF-FF-FF-FF-FF-FF-FF
eui64:         000781080067B074
ssid:         migration_far2
panid:        7224
transmit power: -30 (<-txpower_reg 0x12)
channel:      254
channel notch: none
dwell:       window 20000 max-dwell 400
beacon async: min-interval 120 max-interval 900 suppression-coefficient 1
security mode: 1
```

admin_status: up

Other **show wpan hardware** options are:

```
Router# show wpan 4/1 hardware ?
channel-list      Channel list
config            Configuration
debug            Debug information
global-time       Global time
hwversion         Hardware version
key-info          Mesh key information
leds             LED status
link-neighbors    Layer 2 link neighbor information
link-stats        Link statistics
network-if-stats  Network interface statistics
security-mode     Security mode (enabled by dot1x)
test-mode         Test mode (for test firmware only)
uptime           Uptime
version          Firmware version
```

The output of the command **show wpan <slot >/1 hardware key** shows mesh-security keys (GTKs) that reside on the WPAN hardware. The **show wpan <slot >/1 hardware key** output should agree with the output of **show mesh-security-keys** . (See [show mesh-security keys, on page 39](#).)

```
Router# show wpan 4/1 hard key
keyinfo:
  key 0: valid *
  key 1: valid
  key 2: empty
  key 3: empty
  key x: valid
```

The **show wpan <slot >/1 hardware link-neighbor** command shows the list of recently heard IEEE 802.15.4 link neighbors. These link neighbors are RMEs within a 1-hop transmit range from the CGR and from which the CGR has recently heard IEEE 802.15.4 frames. The list shows only the most recently heard subset from all possible 1-hop neighbors.

```
Router# show wpan 4/1 hardware link-neighbors
eui64      heard  etx      sent / ack  rssif / rssir  lqif / lqir
0007810800A909A1  5      65535    0 / 0      n/a / -99      n/a / 41
0007810800CBF246  23     65535    0 / 0      n/a / -86      n/a / 76
0007810800000001  38     65535    0 / 0      n/a / -114     n/a / 127
00078108003C2206  59     263      3 / 3      - 71 / -74     36 / 14
00078108003C2202  65     278      0 / 0      - 71 / -77     72 / 36
00078108003C2207  113    258      1 / 1      - 71 / -76     14 / 18
```

```
Router# show wpan 4/1 hardware link-stats ?
bridge      Link statistics bridge
brief       Link statistics brief
ieee154-beacon  Link statistics ieee154 beacon
ieee154-device  Link statistics ieee154 device
ieee154-mac   Link statistics ieee154 mac
lowpan      Link statistics lowpan
radio       Link statistics radio
```

```
Router# show wpan 4/1 hardware link-stats brief
linkstats info:
-----
lowpan
tx frames: 5244 (1349356 bytes)
rx frames: 2483 (740228 bytes)
tx errors: 0
rx errors: 0
```



```

tx discards: 113
rx discards: 22
serial
tx frames: 2340 (250602 bytes)
rx frames: 1031 (308456 bytes)
tx errors: 0
rx errors: 3
tx discards: 0
rx discards: 0

```

show wpan packet-count

Router# **show wpan 4/1 packet-count**

```

TOTAL:
    incoming: 940          (183959 bytes)
    outgoing: 739         (192452 bytes)
-----
lowpan:
    incoming: 395         (81660 bytes)
    outgoing: 79          (11483 bytes)
dot1x:
    incoming: 545         (102299 bytes)
    outgoing: 660         (180969 bytes)
outage:
    incoming: 0           (0 bytes)
restoration:
    incoming: 0           (0 bytes)
-----
lowpan.icmp:
    incoming: 143         (16601 bytes)
    rpl dao: 41          (7160 bytes)
    rpl dio: 38          (4125 bytes)
    rpl dis: 0           (0 bytes)
    nd ns : 39          (2816 bytes)
    outgoing: 40          (4000 bytes)
    rpl ra : 0           (0 bytes)
    nd rs : 0           (0 bytes)
lowpan.dhcp:
    incoming: 179         (23850 bytes)
    outgoing: 27          (6595 bytes)
lowpan.csmrp:
    incoming: 73          (41209 bytes)
    - mcast: 0           (0 bytes)
    - ucast: 73          (41209 bytes)
    outgoing: 1           (52 bytes)
    - mcast: 0           (0 bytes)
    - ucast: 1           (52 bytes)
lowpan.cl222:
    incoming: 0           (0 bytes)
    - mcast: 0           (0 bytes)
    - ucast: 0           (0 bytes)
    outgoing: 0           (0 bytes)
    - mcast: 0           (0 bytes)
    - ucast: 0           (0 bytes)
lowpan.other_udp:
    incoming: 0           (0 bytes)
    outgoing: 0           (0 bytes)
lowpan.tcp:
    incoming: 0           (0 bytes)
    outgoing: 0           (0 bytes)
lowpan.other_ip:
    incoming: 0           (0 bytes)
    outgoing: 11          (836 bytes)
-----

```

```

ucast:
  incoming: 902      (179834 bytes)
  outgoing: 728     (191616 bytes)
mcast:
  incoming: 0        (0 bytes)
  outgoing: 0        (0 bytes)
bcast:
  incoming: 38       (4125 bytes)
  outgoing: 11       (836 bytes)
-----
bridge:
  incoming: 0        (0 bytes)
  outgoing: 0        (0 bytes)
-----
(ios):
  incoming: 792     (169418 bytes)
  outgoing: 861     (155858 bytes)
(hdlc):
  incoming: 2131    (216892 bytes)
  outgoing: 972     (306238 bytes)
-----
udp checksum error:
  incoming: 0       (0 bytes)
icmp checksum error:
  incoming: 0       (0 bytes)
tcp checksum error:
  incoming: 0       (0 bytes)
-----
queue overflow:
  hdlc queue: 0      hold queue: 0
Router#

```

show wpan link-neighbors

The command **show wpan link-neighbors** shows the information about the WPAN link neighbors. These link neighbors are RMEs within a 1-hop transmit range from the CGR that sent at least one IPv6 or IEEE 802.1X packet to the CGR during the last hour.

```

Router# show wpan 4/1 link-neighbors table
----- WPAN LINK NEIGHBOR TABLE [4] -----
EUI64      RSSIF  RSSIR  LQIF  LQIR  FIRST_HEARD  LAST_HEARD
00078108003C2200  -69   -76   51    7    15:09:50    16:38:17
00078108003C2201  -72   -77   29    14   14:46:01    16:39:57
00078108003C2202  -71   -77   72    21   14:51:32    16:51:14
00078108003C2203  -70   -74   57    10   14:49:31    16:45:44
00078108003C2204  -74   -75   8     14   15:09:39    16:49:39
00078108003C2205  -70   -76   76    15   14:45:01    16:35:16
00078108003C2206  -71   -75   36    20   15:09:44    16:50:37
00078108003C2207  -71   -75   14    16   14:46:25    16:37:48
00078108003C2208  -71   -78   47    7    14:52:51    16:44:15
00078108003C2209  -73   -78   66    15   15:13:34    16:51:16
00078108003C220A  -72   -76   18    14   14:51:51    16:49:21
00078108003C220B  -69   -76   45    9    15:09:37    16:47:55
Number of Entries in WPAN LINK NEIGHBOR TABLE: 12

```

```

Router# show wpan 4/1 link-neighbors brief
Number of Entries: 12
Last Reset: 2014:05:18-14:43:33
First Heard: 2014:05:18-14:45:01 00078108003C2205 -76 -70
Last Joined: 2014:05:18-15:13:34 00078108003C2209 -80 -73
Last Heard: 2014:05:18-16:58:54 00078108003C2208 -75 -71

```



Note The minimum RSSI to join a mesh network is -95 dBm; a lower RSSIF/RRSIR value will not allow the node to establish connectivity.

show wpan outage

The **show wpan <slot>/1 outage table** command shows recent power-outage notification (PON) events in the PAN during the past hour.

```
Route# show wpan 4/1 outage-table
----- WPAN POWER OUTAGE NOTIFICATION TABLE -----
EUI64      TIMESTAMP      CNT_B      CNT_R      FIRST_HEARD  LAST_HEARD  Sslot
00078108003C2200  1399405190    1          0          12:39:51    12:39:51    4
00078108003C2201  1399405193    1          0          12:39:54    12:39:54    4
Number of Entries in WPAN RECENT POWER OUTAGE NOTIFICATION (PON) TABLE: 2
```

show wpan restoration-table

The **show wpan <slot>/1 restoration-table** command shows recent power restoration notification (PRN) events in the PAN during the past hour.

```
Router# show wpan 4/1 restoration-table
----- WPAN POWER RESTORATION NOTIFICATION TABLE -----
EUI64      TIMESTAMP      OUTAGE_TIME CNT_B CNT_R FIRST_HEARD  LAST_HEARD  Sslot
00078108003C2200  1399405290    1399405190  3    33    12:53:30    12:54:15    4
00078108003C2201  1399405293    1399405193  2    34    12:52:44    12:53:26    4
Number of Entries in WPAN RECENT PRN TABLE (POWER RESTORATION NOTIFICATION): 2
```

show wpan rpl

To view the RPL Directed Acyclic Graph (DAG) and its routing table, use the following commands:

```
Router# show wpan 4/1 rpl ?
atable      Show RPL routing table with external modules
atree       Show RPL routing tree figure with external modules
brief       Show RPL routing table brief information
config      Show RPL configuration
dag-lifetime Show DAG lifetime in minutes
dio-dbl     Show DIO dbl value
dio-min     Show DIO minimum value
etree       Show RPL routing tree figure with EUI64
hopinfo     Show RPL routing tree hops information
itable      Show RPL routing table with IP route information
ptable      Show RPL routing table with parent information
route-poisoning Show route poisoning
stable      Show RPL routing table with actual slot info
stree       Show RPL routing tree figure with actual slot info
table       Show RPL routing table
tree        Show RPL routing tree figure
version-incr-time Show version increment time in minutes
```

```
Router# show wpan 4/1 rpl table
----- WPAN RPL ROUTE TABLE [4] -----
NODE_IPADDR      NEXTHOP_IP      LAST_HEARD
2092:1:1:1:AAAA:8108:3C:2200  2092:1:1:1::    16:29:40
2092:1:1:1:AAAA:8108:3C:2203  2092:1:1:1::    16:43:10
2092:1:1:1:AAAA:8108:3C:2205  2092:1:1:1:AAAA:8108:3C:2206  16:47:38
2092:1:1:1:AAAA:8108:3C:2206  2092:1:1:1::    16:55:09
2092:1:1:1:AAAA:8108:3C:2207  2092:1:1:1::    16:53:00
```

```

2092:1:1:1:AAAA:8108:3C:2208      2092:1:1:1::      16:43:36
2092:1:1:1:AAAA:8108:3C:2209      2092:1:1:1::      17:02:49
2092:1:1:1:AAAA:8108:3C:220A      2092:1:1:1::      16:55:20
2092:1:1:1:AAAA:8108:3C:220B      2092:1:1:1::      16:58:26
2092:1:1:1:AAAA:8108:3C:2301      2092:1:1:1:AAAA:8108:3C:2206      16:55:35
2092:1:1:1:AAAA:8108:3C:2302      2092:1:1:1:AAAA:8108:3C:2206      16:53:06
2092:1:1:1:AAAA:8108:3C:2304      2092:1:1:1:AAAA:8108:3C:2206      16:42:55
2092:1:1:1:AAAA:8108:3C:2306      2092:1:1:1:AAAA:8108:3C:220A      16:47:15
2092:1:1:1:AAAA:8108:3C:2308      2092:1:1:1:AAAA:8108:3C:2206      16:49:26
2092:1:1:1:AAAA:8108:3C:2309      2092:1:1:1:AAAA:8108:3C:2206      17:00:24
2092:1:1:1:AAAA:8108:3C:2402      2092:1:1:1:AAAA:8108:3C:2304      16:29:54
2092:1:1:1:AAAA:8108:3C:2403      2092:1:1:1:AAAA:8108:3C:2304      16:56:58
2092:1:1:1:AAAA:8108:3C:2404      2092:1:1:1:AAAA:8108:3C:2304      17:02:23
2092:1:1:1:AAAA:8108:3C:2405      2092:1:1:1:AAAA:8108:3C:2304      16:40:57
2092:1:1:1:AAAA:8108:3C:2406      2092:1:1:1:AAAA:8108:3C:2308      17:05:55
2092:1:1:1:AAAA:8108:3C:2407      2092:1:1:1:AAAA:8108:3C:2304      17:03:14
2092:1:1:1:AAAA:8108:3C:2409      2092:1:1:1:AAAA:8108:3C:2304      17:06:08
2092:1:1:1:AAAA:8108:3C:240A      2092:1:1:1:AAAA:8108:3C:2304      16:36:29
2092:1:1:1:AAAA:8108:3C:240B      2092:1:1:1:AAAA:8108:3C:2304      16:56:51
Number of Entries in WPAN RPL ROUTE TABLE: 24

```

Router# show wpan 4/1 rpl tree

```

----- WPAN RPL TREE FIGURE [4] -----
[2092:1:1:1:] (8/25)
  \--- 2092:1:1:1:AAAA:8108:3C:2200
  \--- 2092:1:1:1:AAAA:8108:3C:2203
  \--- 2092:1:1:1:AAAA:8108:3C:2206 (7/16)
    \--- 2092:1:1:1:AAAA:8108:3C:2201
    \--- 2092:1:1:1:AAAA:8108:3C:2205
    \--- 2092:1:1:1:AAAA:8108:3C:2301
    \--- 2092:1:1:1:AAAA:8108:3C:2302
    \--- 2092:1:1:1:AAAA:8108:3C:2304 (7)
      \--- 2092:1:1:1:AAAA:8108:3C:2403
      \--- 2092:1:1:1:AAAA:8108:3C:2404
      \--- 2092:1:1:1:AAAA:8108:3C:2405
      \--- 2092:1:1:1:AAAA:8108:3C:2407
      \--- 2092:1:1:1:AAAA:8108:3C:2409
      \--- 2092:1:1:1:AAAA:8108:3C:240A
      \--- 2092:1:1:1:AAAA:8108:3C:240B
    \--- 2092:1:1:1:AAAA:8108:3C:2308 (2)
      \--- 2092:1:1:1:AAAA:8108:3C:2402
      \--- 2092:1:1:1:AAAA:8108:3C:2406
    \--- 2092:1:1:1:AAAA:8108:3C:2309
  \--- 2092:1:1:1:AAAA:8108:3C:2207
  \--- 2092:1:1:1:AAAA:8108:3C:2208
  \--- 2092:1:1:1:AAAA:8108:3C:2209
  \--- 2092:1:1:1:AAAA:8108:3C:220A (1)
    \--- 2092:1:1:1:AAAA:8108:3C:2306
  \--- 2092:1:1:1:AAAA:8108:3C:220B
RPL TREE: Num.DataEntries 25, Num.GraphNodes 26

```

Router# show wpan 4/1 rpl atable

```

----- WPAN RPL ROUTE TABLE [4] -----
NODE_IPADDR      NEXTHOP_IP      LAST_HEARD
2092:1:1:1:AAAA:8108:3C:2200      2092:1:1:1::      17:12:08
2092:1:1:1:AAAA:8108:3C:2201      2092:1:1:1:AAAA:8108:3C:2206      17:11:59
2092:1:1:1:AAAA:8108:3C:2203      2092:1:1:1::      16:43:10
2092:1:1:1:AAAA:8108:3C:2205      2092:1:1:1:AAAA:8108:3C:2206      16:47:38
2092:1:1:1:AAAA:8108:3C:2206      2092:1:1:1::      16:55:09
2092:1:1:1:AAAA:8108:3C:2207      2092:1:1:1::      16:53:00
2092:1:1:1:AAAA:8108:3C:2208      2092:1:1:1::      17:11:41
2092:1:1:1:AAAA:8108:3C:2209      2092:1:1:1::      17:02:49
2092:1:1:1:AAAA:8108:3C:220A      2092:1:1:1::      16:55:20
2092:1:1:1:AAAA:8108:3C:220B      2092:1:1:1::      16:58:26

```

```

2092:1:1:1:AAAA:8108:3C:2301      2092:1:1:1:AAAA:8108:3C:2206      16:55:35
2092:1:1:1:AAAA:8108:3C:2302      2092:1:1:1:AAAA:8108:3C:2206      16:53:06
2092:1:1:1:AAAA:8108:3C:2304      2092:1:1:1:AAAA:8108:3C:2206      16:42:55
2092:1:1:1:AAAA:8108:3C:2306      2092:1:1:1:AAAA:8108:3C:220A      16:47:15
2092:1:1:1:AAAA:8108:3C:2308      2092:1:1:1:AAAA:8108:3C:2206      16:49:26
2092:1:1:1:AAAA:8108:3C:2309      2092:1:1:1:AAAA:8108:3C:2206      17:00:24
2092:1:1:1:AAAA:8108:3C:2402      2092:1:1:1:AAAA:8108:3C:2308      17:09:36
2092:1:1:1:AAAA:8108:3C:2403      2092:1:1:1:AAAA:8108:3C:2304      16:56:58
2092:1:1:1:AAAA:8108:3C:2404      2092:1:1:1:AAAA:8108:3C:2304      17:02:23
2092:1:1:1:AAAA:8108:3C:2405      2092:1:1:1:AAAA:8108:3C:2304      16:40:57
2092:1:1:1:AAAA:8108:3C:2406      2092:1:1:1:AAAA:8108:3C:2308      17:05:55
2092:1:1:1:AAAA:8108:3C:2407      2092:1:1:1:AAAA:8108:3C:2304      17:03:14
2092:1:1:1:AAAA:8108:3C:2409      2092:1:1:1:AAAA:8108:3C:2304      17:06:08
2092:1:1:1:AAAA:8108:3C:240A      2092:1:1:1:AAAA:8108:3C:2304      17:10:25
2092:1:1:1:AAAA:8108:3C:240B      2092:1:1:1:AAAA:8108:3C:2304      16:56:51
Number of Entries in WPAN RPL ROUTE TABLE: 25 (external 0)

```

Router# show wpan 4/1 rpl ptable

```

----- WPAN RPL PARENT INFO TABLE [4] -----
NODE_IPADDR      NEXTHOP_EUI      NODE_EUI      RANK      VERSION      PRIMARY      NEXTHOP_IPADDR
NEXTHOP_EUI      ETX_P      ETX_L      RSSIR      RSSIF      LQIR      LQIF      HOPS      PARENTS      SSILOT
2092:1:1:1:AAAA:8108:3C:2200      00078108003C2200      298      3      *      2092:1:1:1::
4      000781080067B074      0      298      -74      -78      7      7      1      3
2092:1:1:1:AAAA:8108:3C:2200      00078108003C2200      298      3
2092:1:1:1:AAAA:8108:3C:2206      00078108003C2206      256      256      -42      -47      67      22
2      3      4
2092:1:1:1:AAAA:8108:3C:2200      00078108003C2200      298      3
2092:1:1:1:AAAA:8108:3C:220A      00078108003C220A      258      256      -49      -51      58      26
2      3      4
2092:1:1:1:AAAA:8108:3C:2201      00078108003C2201      512      3      *
2092:1:1:1:AAAA:8108:3C:2206      00078108003C2206      256      256      -40      -45      38      10
2      3      4
2092:1:1:1:AAAA:8108:3C:2201      00078108003C2201      512      3
2092:1:1:1:AAAA:8108:3C:2208      00078108003C2208      267      256      -41      -40      67      73
2      3      4
2092:1:1:1:AAAA:8108:3C:2201      00078108003C2201      512      3      2092:1:1:1::
4      000781080067B074      0      550      -70      -76      37      38      1      3
2092:1:1:1:AAAA:8108:3C:2203      00078108003C2203      360      3      *      2092:1:1:1::
4      000781080067B074      0      347      -74      -74      12      22      1      3
<--..truncated..->

```

Router# show wpan 4/1 rpl brief

```

Number of Entries:      25
Last Reset:      2014:05:18-14:57:10      (reason: configure panid)
First Heard:      2014:05:18-15:25:43      2092:1:1:1:AAAA:8108:3C:220A
Last Joined:      2014:05:18-17:11:59      2092:1:1:1:AAAA:8108:3C:2201
Last Heard:      2014:05:18-17:13:21      2092:1:1:1:AAAA:8108:3C:2405

```

Router# show wpan 4/1 rpl hopinfo

```

----- RPL TREE HOP INFO [4] -----
NUM_NODES      (REPORTED)
Hop 0:      1      ( 1)
Hop 1:      8      ( 8)
Hop 2:      8      ( 8)
Hop 3:      9      ( 9)
RPL HOPINFO: # DataEntries 25, # External 0, # GraphNodes 26

```

Debugging the WPAN Module

To debug the WPAN module, use the **debug wpan all** command:

```
# debug wpan all
```

Sample Router Configuration



Note The **dwell** attribute indicates the maximum transmission time on a channel to comply with government regulations, most of which limit transmissions on a channel to *X* ms within *Y* ms (minimum and maximum duration). The **dwell** command allows you to set both *X* and *Y*. In the U.S., they are typically 400 ms to 20000 ms.

The following example is for a CGR with a basic WPAN configuration:

```
!
! Last configuration change at 22:59:13 PST Tue Apr 22 2014 by cisco
!
version 15.4
service timestamps debug datetime msec localtime show-timezone
service timestamps log datetime msec localtime show-timezone
no service password-encryption
!
hostname Router
!
boot-start-marker
boot system flash:/cgr1000-universalk9-mz.SSA.154-2.07.CG
boot-end-marker
!
!
enable password cisco
!
aaa new-model
!
!
aaa group server radius nps-group
 server name nps-radius
!
aaa authentication enable default none
aaa authentication dot1x default group nps-group
aaa authorization network FLEX local
!
!
!
!
!
aaa session-id common
clock timezone PST -8 0
clock summer-time PST recurring
!
dot11 ssid ArifNXTSY
 authentication key-management wpa2
!
!
!
!
!
!
!
!
!
```

```

no ip domain lookup
ip name-server 171.70.168.183
ip name-server 171.68.226.120
ip cef
ipv6 unicast-routing
no ipv6 cef
!
multilink bundle-name authenticated
!
!
crypto pki trustpoint SG
  enrollment mode ra
  enrollment url http://192.168.193.20:80/certsrv/mscep/mscep.dll
  serial-number
  revocation-check none
  rsakeypair SG 2048
!
crypto pki profile enrollment SG
  enrollment url http://192.168.193.20/certsrv/mscep/mscep.dll
!
!
!
crypto pki certificate map FlexVPN_CertMap 10
  issuer-name co lab-ca-ca
!
crypto pki certificate chain SG
certificate 568DE8A10000000002D3
 3082058E 30820476 A0030201 02020A56 8DE8A100 00000002 D3300D06 092A8648
 86F70D01 010B0500 30553113 3011060A 09922689 93F22C64 01191603 636F6D31
 15301306 0A099226 8993F22C 64011916 05636973 636F3113 3011060A 09922689
 93F22C64 01191603 6C616231 12301006 03550403 13096C61 622D4341 2D434130
 1E170D31 33313031 34323032 3333395A 170D3135 31303134 32303333 33395A30
 33311430 12060355 0405130B 4A414631 37323242 4A485431 1B301906 092A8648
 86F70D01 0902130C 6E78742D 63616C2D 32303131 30820122 300D0609 2A864886
 F70D0101 01050003 82010F00 3082010A 02820101 00F21122 FD3F48E1 8FBE5482
 54615561 DF3396C4 882918E6 994051A1 912E9BDC EBCEFA48C 9A875EFA 5AC179BB
 94F79367 23D12DF3 C5D0D467 92FE85CB C8C7754C 25E398E0 4C0F1BA2 4C83C20E
 6AC42267 8A277B1C D25B76B8 41CF8190 6264C4D3 F9B031CA 2E81A6A0 D73033DD
 9889D25B D1658304 9015E2B6 044D4BBC 81B9ECBF 6A043C8B 956A5B41 58EF163B
 B645A243 20C097D9 6AA6F605 A6A58F09 DAE10425 4A1C6DFB 69578A14 F806480E
 D1C288A1 E2395C31 6B0BADC7 2AE9842E 7CB6C4AD 16118511 0914C654 C42C2F7B
 94E51EEE 6F5D94B0 B380B8AF 77DC489C 03CAEEA2 DF540E37 936673D6 E8E45929
 D1E004BD 41BA3981 B05B8518 EF200A7A C43BC00F 9D020301 0001A382 02803082
 027C300B 0603551D 0F040403 0204F030 1D060355 1D0E0416 04143C3C E038B3EF
 C9B9E3A8 E946DCB3 03987F91 DDF8301F 0603551D 23041830 16801441 150D5D07
 77986E59 1B324A0C 73250D53 EEDE8130 81C70603 551D1F04 81BF3081 BC3081B9
 A081B6A0 81B38681 B06C6461 703A2F2F 2F434E3D 6C61622D 43412D43 412C434E
 3D43412C 434E3D43 44502C43 4E3D5075 626C6963 2532304B 65792532 30536572
 76696365 732C434E 3D536572 76696365 732C434E 3D436F6E 66696775 72617469
 6F6E2C44 433D6C61 622C4443 3D636973 636F2C44 433D636F 6D3F6365 72746966
 69636174 65526576 6F636174 696F6E4C 6973743F 62617365 3F6F626A 65637443
 6C617373 3D63524C 44697374 72696275 74696F6E 506F696E 743081C0 06082B06
 01050507 01010481 B33081B0 3081AD06 082B0601 05050730 028681A0 6C646170
 3A2F2F2F 434E3D6C 61622D43 412D4341 2C434E3D 4149412C 434E3D50 75626C69
 63253230 4B657925 32305365 72766963 65732C43 4E3D5365 72766963 65732C43
 4E3D436F 6E666967 75726174 696F6E2C 44433D6C 61622C44 433D6369 73636F2C
 44433D63 6F6D3F63 41436572 74696669 63617465 3F626173 653F6F62 6A656374
 436C6173 733D6365 72746966 69636174 696F6E41 7574686F 72697479 301A0603
 551D1101 01F0410 300E820C 6E78742D 63616C2D 32303131 303C0609 2B060104
 01823715 07042F30 2D06252B 06010401 82371508 83C9F868 84EE915C 83B19F2D
 86B2B915 83B6C825 7B868CCB 44FECC25 02016402 0104301D 0603551D 25041630
 1406082B 06010505 07030106 082B0601 05050703 02302706 092B0601 04018237
 150A041A 3018300A 06082B06 01050507 0301300A 06082B06 01050507 0302300D
 06092A86 4886F70D 01010B05 00038201 01004F3E D2E3D281 CED5959B 434FD199

```

```

8143DE46 93D0D02A FC674878 144AC78A D0E21E61 4F30DD59 CCA368F4 EF3149F4
ABED3B24 5AD842A3 96518B3B 10FDA919 561E0C11 F81D008D 41475822 19130E03
FA383535 93D7483E E4BC9DC8 E0516A5C 9ED96039 3D9A0524 7DAD11F6 51F4B672
630E58E8 DABE6DA2 DF2B7E95 B9702F58 9C0EF21A 35133191 65A2C009 16179F36
CC47E1C3 7F76F2CC D91D37CD 85AEB4F7 5B0E17AA 434A447E 1D6C804C C1A1F9CF
07976C03 43CBCBA4 3835508E FAC51BC4 85B87722 486DACE8 80F1E5DA C1000F71
D78B2EB3 7927943C B36297F7 0A34C043 93BC9F76 0F85E5E6 126D59CB D31341E8
64C44C02 4DDFEEE9 DEAA11B0 CB5184FF 33DA
quit

```

```

certificate ca 57DDCBEA41D1B0A14540C10330393E2D
3082039D 30820285 A0030201 02021057 DDCBEA41 D1B0A145 40C10330 393E2D30
0D06092A 864886F7 0D01010B 05003055 31133011 060A0992 268993F2 2C640119
1603636F 6D311530 13060A09 92268993 F22C6401 19160563 6973636F 31133011
060A0992 268993F2 2C640119 16036C61 62311230 10060355 04031309 6C61622D
43412D43 41301E17 0D313231 30333030 31303535 315A170D 31373130 33303031
31353531 5A305531 13301106 0A099226 8993F22C 64011916 03636F6D 31153013
060A0992 268993F2 2C640119 16056369 73636F31 13301106 0A099226 8993F22C
64011916 036C6162 31123010 06035504 0313096C 61622D43 412D4341 30820122
300D0609 2A864886 F70D0101 01050003 82010F00 3082010A 02820101 00BBF4CA
721F8DD1 DF0CCA3D 201F0396 1513BB4C 62BF0235 854B0C36 337B7D08 15C30A5B
39D2D24A 2337B18D 87849B36 69873BFF 92EF321F 1D09154D B3E33182 DCA2D4F5
E4106255 5C0393C4 05B7A458 7233263E 282F7808 08FB08F3 A7C70321 2DE2449B
B6C20373 E464EE3F A3E1FD24 9A59D2C7 9DD0A395 4FAEB007 D0598DC1 8307F07B
80E875A6 89DA9493 86644B95 05CFE98A E97A1BBC 8AE5BDB1 8544805A 6C7D4899
5B9BB9F6 7F3F0C7A A3637387 7A57688B A8CB48EB D3ECC52F F4DA59A8 D5C60E05
E4565E04 5D11B2CD 85F0D1FC 28E60152 06663003 D8E3B511 76B63788 017FFA4B
BF17F98E 64F948E3 93C54321 229A12DC 539A942E 5C674889 DCA3850D 51020301
0001A369 30673013 06092B06 01040182 37140204 061E0400 43004130 0E060355
1D0F0101 FF040403 02018630 0F060355 1D130101 FF040530 030101FF 301D0603
551D0E04 16041441 150D5D07 77986E59 1B324A0C 73250D53 EEDE8130 1006092B
06010401 82371501 04030201 00300D06 092A8648 86F70D01 010B0500 03820101
005CBD0E 7053D3D5 D3C8D9F8 7737499A 71061FB4 1C7B30DB 80979784 2DADB2C3
2FB12FD0 9AA3FD02 48C6B9B1 3E4279A6 C3595D52 A93F42DE 0ABB5A87 44D3EC17
E49A1419 6FD8F891 F62EEB9A C302B910 421F67AF 943EBE1D 5047A4C9 BD7AE152
05E3722E 88B0C9FC B1028743 48D14D35 0331A3DF F7F71D90 384B6BCD F4112383
6A956096 6C282BEE B7F4AAE4 35004B6E 491C12D5 0FB0D05A DE1FC94C 453A759A
0615DCA2 94ED2583 18E9BA04 EC79E0B1 515B9C88 A3FFFA89 C821A4F4 CDE2DABB
E2ECAD3F EC8C1AE1 82390AC9 E7AB1918 99356652 F97160A0 5E6C7200 AF3E1882
70415116 DAB441EB A7268B52 F7BC6878 4068277C 4734CFF1 732853CA 12932AB3 32
quit

```

```

!
chat-script hspa-R7 "" "AT!SCACT=1,1" TIMEOUT 60 "OK"
chat-script cdma "" "atdt#777" TIMEOUT 60 "CONNECT"
license udi pid CGR1240/K9 sn JAF1723AHFE
license accept end user agreement
license boot cgr1000 technology-package securityk9
license boot cgr1000 technology-package datak9
dot1x system-auth-control
!
!
!
hw-module poweroff 3
hw-module poweroff 5
!
username cisco password 0 cisco
username admin password 0 Cisco12345
!
redundancy
!
crypto ikev2 authorization policy FLEX
 route set interface
 route set access-list 90
 route set access-list ipv6 IPv6_access_list
!

```



```
!  
!  
!  
crypto ikev2 profile default  
  match certificate FlexVPN_CertMap  
  identity local dn  
  authentication remote rsa-sig  
  authentication local rsa-sig  
  pki trustpoint SG  
  aaa authorization group psk list FLEX FLEX  
  aaa authorization group cert list FLEX FLEX  
!  
crypto ikev2 dpd 30 5 on-demand  
!  
!  
ip ftp username lab  
ip ftp password lab123  
ip ssh version 2  
ip scp server enable  
!  
!  
!  
!  
!  
!  
!  
!  
interface Loopback0  
  ip address 2.2.2.2 255.255.255.0  
  ipv6 address 2081::1/64  
  ipv6 enable  
!  
interface Tunnel0  
  ip address negotiated  
  ipv6 address 2002:DEAD:CAFE:C5C0:AAAA:BBBB:CCCC:5/128  
  ipv6 enable  
  tunnel source GigabitEthernet2/1  
  tunnel destination 100.0.0.1  
  tunnel protection ipsec profile default  
!  
interface Tunnell1  
  description IPsec tunnel to CGR1240/K9+JAF1722BJHT  
  no ip address  
!  
interface GigabitEthernet0/1  
  no ip address  
  shutdown  
  duplex auto  
  speed auto  
!  
interface Dot11Radio2/1  
  ssid ArifNXTSY  
  suppress ssid  
  ip address 192.168.111.111 255.255.255.0  
  no mop enabled  
  no mop sysid  
!  
interface FastEthernet2/3  
  no ip address  
!  
interface FastEthernet2/4  
  no ip address
```

```
!  
interface FastEthernet2/5  
  no ip address  
!  
interface FastEthernet2/6  
  no ip address  
!  
interface GigabitEthernet2/1  
  no switchport  
  ip address 100.0.0.2 255.255.255.0  
  duplex auto  
  speed auto  
  ipv6 enable  
!  
interface GigabitEthernet2/2  
  no switchport  
  ip address 172.27.162.22 255.255.255.0  
  duplex auto  
  speed auto  
!  
interface Wpan3/1  
  no ip address  
!  
interface Wpan4/1  
  no ip address  
  ip broadcast-address 0.0.0.0  
  no ip route-cache  
  ieee80211 beacon-async min-interval 121 max-interval 601 suppression-coefficient 1  
  ieee80211 dwell window 20000 max-dwell 401  
  ieee80211 panid 7221 <-- #See Naming Your PAN, on page 27.  
  ieee80211 ssid migration_far2 <-- #See Naming the SSID, on page 28.  
  ieee80211 txpower -30 <-- #See Configuring Transmit Power, on page 28.  
  authentication host-mode multi-auth  
  authentication port-control auto  
  ipv6 address 2091:1:1:1::/64  
  ipv6 enable  
  ipv6 dhcp relay destination 2010:A0B0:1001:22::2 <-- #See Configuring IPv6 DHCP Relay, on page 34.  
  dot1x pae authenticator <-- #WPAN module is a client of dot1x.  
!  
interface Wpan5/1  
  no ip address  
!  
interface Wpan6/1  
  no ip address  
  ip broadcast-address 0.0.0.0  
  no ip route-cache  
  ieee80211 beacon-async min-interval 120 max-interval 900 suppression-coefficient 1  
  ieee80211 panid 7219  
  ieee80211 ssid plcl23  
  rpl dag-lifetime 240  
  rpl dio-min 21  
  rpl version-incr-time 240  
  authentication host-mode multi-auth  
  authentication port-control auto  
  ipv6 address 2092:1:1:1::/64  
  ipv6 enable  
  ipv6 dhcp relay destination 2010:A0B0:1001:22::2  
  dot1x pae authenticator  
!  
interface Vlan1  
  no ip address  
!  
interface Async1/1  
  no ip address
```

```
encapsulation scada
!
interface Async1/2
no ip address
encapsulation scada
!
!
ip forward-protocol nd
!
no ip http server
no ip http secure-server
!
ip route 0.0.0.0 0.0.0.0 172.27.162.1
ip route 0.0.0.0 0.0.0.0 100.0.0.1
ip route 10.0.0.0 255.0.0.0 172.27.162.1
ip route 172.27.0.0 255.255.0.0 172.27.162.1
ip route 192.168.193.0 255.255.255.0 100.0.0.1
!
!
route-map WPAN permit 10
!
!
access-list 90 permit 2.2.2.2
!
radius server nps-radius
address ipv4 192.168.193.21 auth-port 1645 acct-port 1646
key Cisco123
!
!
!
ipv6 access-list IPv6_access_list
permit ipv6 2091:1:1:1::/64 any
sequence 11 permit ipv6 2092:1:1:1::/64 any
sequence 40 permit ipv6 any any
!
control-plane
!
!
!
!
line con 0
exec-timeout 0 0
privilege level 15
line 1/1 1/2
transport preferred none
stopbits 1
line 1/3 1/6
transport preferred none
transport output none
stopbits 1
line vty 0 4
exec-timeout 0 0
password cisco
login authentication cisco
transport input all
line vty 5 10
transport input all
!
!
!
!
end
```



```
ip dhcp pool GOS
 host 192.168.1.1 255.255.255.0
 client-identifier d48c.b5a2.ee4c
!
!
!
no ip domain lookup
ip domain name ipv6lab.com
ip host cenbu-tps1.ipv6lab.com 192.168.193.120
ip host cenbu-nms1.ipv6lab.com 2001:C1::C0A8:C10E
ip inspect WAAS flush-timeout 10
ip cef
ipv6 unicast-routing
ipv6 cef
!
multilink bundle-name authenticated
!
!
crypto pki trustpoint LDevID
 enrollment mode ra
 enrollment profile LDevID
 serial-number none
 fqdn none
 ip-address none
 password
 fingerprint F23314787BD98B99AF1FE0B2D338961D125EAE51
 subject-name CN=CGR-JAF1626AQED/serialNumber=PID:CGR1120/K9 SN:JAF1626AQED
 revocation-check none
 rsakeypair LDevID 2048
!
crypto pki profile enrollment LDevID
 enrollment url http://192.168.100.120/certsrv/mscep/mscep.dll
!
!
!
crypto pki certificate map FlexVPN_Cert_Map 1
 issuer-name co cn = ipv6lab-sol-radius1-ca
!
crypto pki certificate chain LDevID
 certificate 610380E2000100000120
 certificate ca 2539E6B5CFF2FB894AC90A73EA69A645
!
chat-script hspa-R7 "" "AT!SCACT=1,1" TIMEOUT 60 "OK"
license udi pid CGR1240/K9 sn JAF1626BKLG
license accept end user agreement
license boot module cgr1000 technology-package securityk9
license boot module cgr1000 technology-package datak9
dot1x system-auth-control
!
!
!
!
!
archive
 path flash:/archive/
 maximum 8
username admin privilege 15 password 0 Cisco_123
username cg-nms-administrator privilege 15 password 0 Cisco_123
!
redundancy
 notification-timer 60000
!
crypto ikev2 authorization policy FlexVPN_Author_Policy
 route set interface
```

```
route set access-list FlexVPN_Client_IPv4_LAN
route set access-list ipv6 FlexVPN_Client_IPv6_LAN
!
crypto ikev2 proposal FlexVPN_IKEv2_Proposal
  encryption aes-cbc-128
  integrity sha1
  group 5
!
crypto ikev2 policy FLEXPVPN_IKEv2_Policy
  proposal FlexVPN_IKEv2_Proposal
!
!
crypto ikev2 profile FlexVPN_IKEv2_Profile
  match certificate FlexVPN_Cert_Map
  identity local dn
  authentication remote rsa-sig
  authentication local rsa-sig
  pki trustpoint LDevID
  aaa authorization group cert list FlexVPN_Author FlexVPN_Author_Policy
!
crypto ikev2 dpd 30 5 on-demand
crypto ikev2 client flexvpn FlexVPN_Client
  peer 1 173.36.248.224
  client connect Tunnel0
!
!
!
controller Cellular 3/1
!
ip ssh rsa keypair-name CGR-JAF1626AQED
ip ssh version 2
!
!
!
crypto ipsec transform-set AES_128_SHA1 esp-aes esp-sha-hmac
  mode transport
!
crypto ipsec profile FlexVPN_IPsec_Profile
  set transform-set AES_128_SHA1
  set ikev2-profile FlexVPN_IKEv2_Profile
!
!
!
!
!
!
interface Loopback0
  ip address 20.211.0.11 255.255.255.255
  ipv6 address 2001:420:7BF:7E8::B/128
  ipv6 enable
  ipv6 ospf 1 area 1
!
interface Tunnel0
  description IPsec tunnel to SOL-ASR-7
  ip unnumbered Loopback0
  ip pim sparse-mode
  ipv6 unnumbered Loopback0
  ipv6 enable
  ipv6 mld join-group FF38:40:2006:DEAD:BEEF:CAFE:0:1
  ipv6 ospf 1 area 1
  ipv6 ospf mtu-ignore
  tunnel source Dialer1
  tunnel destination dynamic
```

```
tunnel protection ipsec profile FlexVPN_IPsec_Profile
!
interface Tunnell
no ip address
!
interface GigabitEthernet0/1
ip address 100.0.0.1 255.255.255.0
duplex auto
speed auto
!
interface Dot11Radio2/1
ssid sol50_wifi
power local 8
ip address 192.168.111.254 255.255.255.0
load-interval 30
ipv6 enable
no mop enabled
no mop sysid
!
interface FastEthernet2/3
no switchport
no ip address
!
interface FastEthernet2/4
no switchport
no ip address
shutdown
ipv6 address 2011:DEAD:BEEF:CAFE::2/64
ipv6 enable
ipv6 mld join-group FF38:40:2006:DEAD:BEEF:CAFE:0:1
ipv6 ospf 1 area 1
!
interface FastEthernet2/5
no switchport
ip address 172.27.126.11 255.255.255.128
!
interface FastEthernet2/6
no switchport
ip address 2.4.53.7 255.255.0.0
!
interface GigabitEthernet2/1
no switchport
ip address 1.0.0.11 255.255.255.0
shutdown
duplex auto
speed auto
!
interface GigabitEthernet2/2
description SPIRENT-ip address 201.0.0.1 255.255.255.0
no switchport
ip address 201.0.0.1 255.255.255.0
load-interval 30
duplex auto
speed auto
!
interface Wpan5/1
no ip address
ip broadcast-address 0.0.0.0
no ip route-cache
ieee154 beacon-async min-interval 120 max-interval 900 suppression-coefficient 0
ieee154 panid 99
ieee154 ssid migration_soltn
ieee154 txpower 2
outage-server cenbu-nms1.ipv6lab.com
```

```
rpl dag-lifetime 60
rpl dio-min 18
rpl version-incr-time 120
authentication host-mode multi-auth
authentication port-control auto
ipv6 address 2006:DEAD:BEEF:CAFE::/64
ipv6 dhcp relay destination 2001:64::COA8:647D
ipv6 ospf 1 area 1
dot1x pae authenticator
mesh-security max-active-key-exchange 10
mesh-security max-active-authentication 15
mesh-security authentication-timeout 45
!
interface Cellular3/1
 ip address negotiated
 ip virtual-reassembly in
 encapsulation slip
 load-interval 30
 dialer in-band
 dialer pool-member 1
 dialer idle-timeout 0
 no peer default ip address
 async mode interactive
 routing dynamic
!
interface Vlan1
 no ip address
!
interface Async1/1
 no ip address
 encapsulation raw-tcp
!
interface Async1/2
 no ip address
 encapsulation scada
!
interface Dialer1
 ip address negotiated
 ip virtual-reassembly in
 encapsulation slip
 dialer pool 1
 dialer idle-timeout 0
 dialer string hspa-R7
 dialer persistent
!
!
router ospfv3 1
!
 address-family ipv6 unicast
 redistribute connected route-map WPAN
 router-id 2.0.0.7
 exit-address-family
!
router ospf 1
 network 1.0.0.0 0.0.0.255 area 1
 network 20.211.0.11 0.0.0.0 area 1
!
ip forward-protocol nd
!
ip http server
ip http authentication local
ip http secure-server
ip http secure-ciphersuite aes-128-cbc-sha aes-256-cbc-sha dhe-aes-128-cbc-sha dhe-aes-256-cbc-sha
ip http secure-client-auth
```



```
ip http secure-port 8443
ip http secure-trustpoint LDevID
ip http max-connections 2
ip http timeout-policy idle 600 life 86400 requests 3
ip http client connection timeout 5
ip http client connection retry 5
ip http client source-interface Loopback0
ip http client secure-ciphersuite aes-128-cbc-sha aes-256-cbc-sha dhe-aes-128-cbc-sha dhe-aes-256-cbc-sha
!
ip route 10.28.29.227 255.255.255.255 172.27.126.1
ip route 101.0.0.100 255.255.255.255 192.168.160.1
ip route 101.0.0.101 255.255.255.255 192.168.161.1
ip route 101.0.0.102 255.255.255.255 192.168.162.1
ip route 170.0.0.2 255.255.255.255 192.168.161.1
ip route 171.70.60.115 255.255.255.255 172.27.126.1
ip route 172.27.167.0 255.255.255.128 172.27.126.1
ip route 173.36.248.197 255.255.255.255 Dialer1
ip route 173.36.248.224 255.255.255.255 Dialer1
ip route 173.36.248.225 255.255.255.255 Dialer1
ip route 192.168.100.121 255.255.255.255 192.168.160.1
ip route 192.168.100.168 255.255.255.255 192.168.160.1
ip route 223.255.254.252 255.255.255.255 2.4.0.1
!
ip access-list standard FlexVPN_Client_IPv4_LAN
 permit 20.211.0.11
!
dialer-list 1 protocol ip permit
ipv6 pim rp-address 2333::1
!
route-map WPAN permit 10
 match interface Wpan5/1
!
!
snmp-server group cgnms v3 priv
snmp-server group cg-nms-administrator v3 priv
snmp-server ifindex persist
snmp-server trap-source Loopback0
snmp-server enable traps snmp linkdown linkup coldstart
snmp-server enable traps flash removal
snmp-server enable traps flash low-space
snmp-server enable traps cisco-sys heartbeat
snmp-server enable traps auth-framework auth-fail
snmp-server enable traps c3g
snmp-server enable traps envmon status
snmp-server enable traps wpan
snmp-server enable traps aaa_server
snmp-server enable traps entity-ext
snmp-server enable traps fru-ctrl
snmp-server enable traps mempool
snmp-server host 2001:C1::C0A8:C10E version 3 priv cg-nms-administrator
!
radius server nps-radius
 address ipv4 192.168.100.121 auth-port 1645 acct-port 1646
 key Cisco123
!
!
!
ipv6 access-list FlexVPN_Client_IPv6_LAN
 sequence 20 permit ipv6 host 2001:420:7BF:7E8::B any
!
control-plane
!
!
!
```

```

!
line con 0
  exec-timeout 0 0
  privilege level 15
line 1/1
  raw-socket tcp server 5001
  transport preferred none
  transport input telnet
  stopbits 1
line 1/2
  transport preferred none
  transport input telnet
  stopbits 1
line 1/3 1/6
  transport preferred none
  transport input all
  transport output all
  stopbits 1
line 3/1
  script dialer hspa-R7
  modem InOut
  no exec
  transport input telnet
  transport output all
  rxspeed 21600000
  txspeed 5760000
line vty 0 4
  exec-timeout 0 0
  privilege level 15
  length 0
  transport input all
  transport output all
!
ntp server 192.168.100.250
wsma agent exec
  profile exec
  profile cgmsexec
!
wsma agent config
  profile config
!
wsma agent filesys
  profile filesys
!
!
wsma profile listener exec
  transport https path /wsma/exec
!
wsma profile listener cgmsexec
  transport http path /cgmsexec
!
wsma profile listener config
  transport https path /wsma/config
!
wsma profile listener filesys
  transport https path /wsma/filesys
!
wsma profile listener cgmslisten
cgna gzip
cgna geo-fence interval 1
cgna geo-fence active
cgna heart-beat interval 15
cgna heart-beat active
!

```

```
cgna profile cg-nms-tunnel
add-command show hosts | format flash:/managed/odm/cg-nms.odm
add-command show ipv6 interface | format flash:/managed/odm/cg-nms.odm
add-command show interfaces | format flash:/managed/odm/cg-nms.odm
add-command show version | format flash:/managed/odm/cg-nms.odm
interval 10
url https://cenbu-tps1.ipv6lab.com:9120/cgna/ios/tunnel
gzip
!
cgna profile cg-nms-register
add-command show hosts | format flash:/managed/odm/cg-nms.odm
add-command show interfaces | format flash:/managed/odm/cg-nms.odm
add-command show ipv6 dhcp | format flash:/managed/odm/cg-nms.odm
add-command show ipv6 interface | format flash:/managed/odm/cg-nms.odm
add-command show platform gps location | format flash:/managed/odm/cg-nms.odm
add-command show platform hypervisor | format flash:/managed/odm/cg-nms.odm
add-command show sd-card password status | format flash:/managed/odm/cg-nms.odm
add-command show snmp mib ifmib ifindex | format flash:/managed/odm/cg-nms.odm
add-command show tpm application list | format flash:/managed/odm/cg-nms.odm
add-command show version | format flash:/managed/odm/cg-nms.odm
interval 10
url https://cenbu-nms1.ipv6lab.com:9121/cgna/ios/registration
gzip
!
cgna profile cg-nms-periodic
add-command show version | format flash:/managed/odm/cg-nms.odm
add-command show environment temperature | format flash:/managed/odm/cg-nms.odm
add-command show hosts | format flash:/managed/odm/cg-nms.odm
add-command show interfaces | format flash:/managed/odm/cg-nms.odm
add-command show ipv6 dhcp | format flash:/managed/odm/cg-nms.odm
add-command show ipv6 interface | format flash:/managed/odm/cg-nms.odm
add-command show snmp mib ifmib ifindex | format flash:/managed/odm/cg-nms.odm
add-command show platform hypervisor | format flash:/managed/odm/cg-nms.odm
add-command show sd-card password status | format flash:/managed/odm/cg-nms.odm
add-command show platform gps location | format flash:/managed/odm/cg-nms.odm
add-command show raw-socket tcp sessions | format flash:/managed/odm/cg-nms.odm
add-command show raw-socket tcp statistics | format flash:/managed/odm/cg-nms.odm
add-command show scada tcp | format flash:/managed/odm/cg-nms.odm
add-command show scada statistics | format flash:/managed/odm/cg-nms.odm
add-command show tpm application list | format flash:/managed/odm/cg-nms.odm
add-command show controllers dot16radio 6/1 | format flash:/managed/odm/cg-nms.odm
add-command show interfaces dot16radio 6/1 association | format flash:/managed/odm/cg-nms.odm
add-command show wpan 5/1 hardware version | format flash:/managed/odm/cg-nms.odm
add-command show cellular 3/1 all | format flash:/managed/odm/cg-nms.odm
interval 5
url https://cenbu-nms1.ipv6lab.com:9121/cgna/ios/metrics
gzip
active
!
cgna profile cg-nms-rpl
interval 480
!
!
cgna exec-profile cgdm-dashboard-profile
add-command show inventory | format flash:/managed/odm/cg-dm.odm
add-command show module | format flash:/managed/odm/cg-dm.odm
add-command show platform led | format flash:/managed/odm/cg-dm.odm
add-command show platform led summary | format flash:/managed/odm/cg-dm.odm
add-command show processes cpu | format flash:/managed/odm/cg-dm.odm
add-command show memory statistics | format flash:/managed/odm/cg-dm.odm
interval 10
exec-count 1
!
cgna exec-profile cgdm-minidashboard-profile
```

```
add-command show version | format flash:/managed/odm/cg-dm.odm
add-command show inventory | format flash:/managed/odm/cg-dm.odm
add-command show environment temperature | format flash:/managed/odm/cg-dm.odm
add-command dir | format flash:/managed/odm/cg-dm.odm
add-command show platform hypervisor | format flash:/managed/odm/cg-dm.odm
interval 10
exec-count 1
!
event manager environment ZTD_SCEP_CGNA_Profile cg-nms-tunnel
event manager environment ZTD_SCEP_LDevID_trustpoint_name LDevID
event manager directory user policy "flash:/eem"
event manager policy tm_ztd_scep.tcl type system
event manager policy cg-nms-eem.tcl
!
end
CGR-JAF1626AQED#
```

Sample ASR Configuration

```
SOL-ASR-7# show run brief
Building configuration...
Current configuration : 5512 bytes
!
! Last configuration change at 10:38:26 PST Fri May 16 2014 by admin
! NVRAM config last updated at 13:44:36 PST Thu May 15 2014 by admin
!
version 15.4
service timestamps debug datetime msec
service timestamps log datetime localtime
no platform punt-keepalive disable-kernel-core
!
hostname SOL-ASR-7
!
boot-start-marker
boot system flash:asr1000rp1-adventerprisek9.03.11.00.S.154-1.S-std.bin
boot-end-marker
!
aqm-register-fnf
!
vrf definition Mgmt-intf
!
  address-family ipv4
  exit-address-family
!
  address-family ipv6
  exit-address-family
!
no logging console
!
aaa new-model
!
!
aaa authentication login default local
aaa authorization exec default local
aaa authorization network FlexVPN_Author local
!
!
!
!
!
aaa session-id common
clock timezone PST -8 0
!
!
```

```
!  
!  
!  
!  
!  
no ip domain lookup  
ip domain name ipv6lab.com  
!  
!  
!  
ipv6 unicast-routing  
ipv6 multicast-routing  
!  
!  
!  
!  
!  
subscriber templating  
!  
multilink bundle-name authenticated  
!  
!  
!  
!  
!  
!  
!  
crypto pki trustpoint LDevID  
  enrollment retry count 10  
  enrollment retry period 2  
  enrollment mode ra  
  enrollment profile LDevID  
  serial-number  
  ip-address none  
  password  
  fingerprint F23314787BD98B99AF1FE0B2D338961D125EAE51  
  revocation-check none  
  rsakeypair LDevID  
!  
crypto pki profile enrollment LDevID  
  enrollment url http://192.168.100.120/certsrv/mscep/mscep.dll  
!  
!  
!  
crypto pki certificate map FlexVPN_Cert_Map 1  
  issuer-name co cn = ipv6lab-sol-radius1-ca  
!  
crypto pki certificate chain LDevID  
  certificate 4B8801480001000000FC  
  certificate ca 2539E6B5CFF2FB894AC90A73EA69A645  
spanning-tree extend system-id  
!  
username admin privilege 15 password 0 cisco  
!  
redundancy  
  mode none  
!  
crypto ikev2 authorization policy FlexVPN_Author_Policy  
  route set interface  
  route set access-list FlexVPN_Client_Default_IPv4_Route  
  route set access-list ipv6 FlexVPN_Client_Default_IPv6_Route
```

```
!  
crypto ikev2 redirect gateway init  
crypto ikev2 proposal FlexVPN_IKEv2_Proposal  
  encryption aes-cbc-128  
  integrity sha1  
  group 5  
!  
crypto ikev2 policy FLeXVPN_IKEv2_Policy  
  proposal FlexVPN_IKEv2_Proposal  
!  
!  
crypto ikev2 profile FlexVPN_IKEv2_Profile  
  match certificate FlexVPN_Cert_Map  
  identity local dn  
  authentication remote rsa-sig  
  authentication local rsa-sig  
  pki trustpoint LDevID  
  aaa authorization group cert list FlexVPN_Author FlexVPN_Author_Policy  
  virtual-template 1  
!  
!  
crypto ikev2 cluster  
  port 2000  
  standby-group group1  
  slave priority 90  
  slave max-session 10  
  no shutdown  
!  
!  
cdp run  
!  
ip tftp source-interface GigabitEthernet0/0/3  
ip ssh version 2  
!  
!  
!  
!  
!  
!  
!  
!  
crypto ipsec transform-set AES_128_SHA1 esp-aes esp-sha-hmac  
  mode transport  
!  
crypto ipsec profile FlexVPN_IPsec_Profile  
  set transform-set AES_128_SHA1  
  set ikev2-profile FlexVPN_IKEv2_Profile  
  responder-only  
!  
!  
!  
!  
!  
!  
!  
!  
interface Loopback0  
  ip address 20.0.0.3 255.255.0.0  
  ipv6 address 2003:20::1/128  
  ipv6 address 2333::1/64  
  ipv6 enable  
  ipv6 ospf 1 area 1  
!  
interface GigabitEthernet0/0/0
```

```
ip address 173.36.248.224 255.255.255.192
negotiation auto
cdp enable
!
interface GigabitEthernet0/0/1
ip address 10.0.2.70 255.255.255.0
ip pim sparse-mode
negotiation auto
ipv6 address 2001:A02::A00:246/64
ipv6 enable
ipv6 ospf 1 area 1
ipv6 ospf mtu-ignore
cdp enable
!
interface GigabitEthernet0/0/2
ip address 11.0.0.70 255.255.255.0
standby 1 ip 11.0.0.100
standby 1 priority 110
standby 1 name group1
negotiation auto
ipv6 enable
cdp enable
!
interface GigabitEthernet0/0/3
ip address 11.0.1.70 255.255.255.0
negotiation auto
cdp enable
!
interface GigabitEthernet0/1/0
description WIMAX-BASESTATION
ip address 192.10.0.88 255.255.255.0
negotiation auto
!
interface GigabitEthernet0/1/1
no ip address
ip pim sparse-mode
negotiation auto
ipv6 address 2010:DEAD:BEEF:CAFE::1/64
ipv6 enable
ipv6 ospf 1 area 1
ipv6 ospf mtu-ignore
!
interface GigabitEthernet0/1/2
no ip address
ip pim sparse-mode
negotiation auto
ipv6 address 2011:DEAD:BEEF:CAFE::1/64
ipv6 enable
ipv6 ospf 1 area 1
ipv6 ospf mtu-ignore
!
interface GigabitEthernet0/1/3
no ip address
shutdown
negotiation auto
!
interface GigabitEthernet0/1/4
no ip address
shutdown
negotiation auto
!
interface GigabitEthernet0
vrf forwarding Mgmt-intf
no ip address
```



```

transport input all
transport output all
!
ntp server 192.168.100.250
netconf max-sessions 16
netconf ssh
!
end
SOL-ASR-7#

```

Checking and Upgrading the WPAN Firmware Version

This section describes how to check the WPAN hardware and firmware versions and perform firmware upgrades.



Note WPAN firmware is not upgraded automatically when the CGR is upgraded to a new image integrated with new WPAN firmware.

Minimum Firmware Version

The minimum supported firmware version for FSK WPAN is 5.2.82.

The minimum supported firmware version for OFDM WPAN is 5.7.27.

Checking the WPAN Hardware and Firmware Versions

To check the version of the WPAN hardware in slot 4, run the following command:

```

Router# show wpan 4/1 hardware hwversion
hardware version: Itron OWCM
Hardware rev : 3.1
Model name   : OWCM
Hardware ID  : RFLAN/3.60/3.80

```

To check the installed firmware version of the WPAN, run the following command:

```

Router# show wpan 4/1 hardware version
firmware version: 5.5.48, apps/bridge, master, 4b89e37, Apr  4 2014

```

If the firmware integrated in the CGR image is later than the one installed on the WPAN, the CGR displays the following message:

```

Router# show wpan 4/1 hardware version
!NOTE! Current version of WPAN firmware is old. Please upgrade WPAN firmware.
firmware version: 5.2.82, apps/bridge, cg-mesh-5.2.82, c181854, Apr 24 2013

```

The **show wpan <slot >/1 config** command also displays the WPAN firmware version:

```

cgr1000# show wpan 4/1 config
module type:    RF-WPAN (IEEE 802.15.4e/g RF 900MHz)
ssid:          migration_far2
panid:         7224
transmit power: -34
channel:       254
dwell:         window 20000 max-dwell 400
beacon async:  min-interval 262 max-interval 1048 suppression-coefficient 1
security mode: 1

```

```
test mode:      0 (test firmware only)
admin_status:   up
rpl prefix:     2091:1:1:1::/64
rpl route-poisoning: off
rpl dodag-lifetime: 120
rpl dio-dbl:    0
rpl dio-min:    20
rpl version-incr-time: 60
detach bridge:  no
bootloader mode: no
mcast-agent:    FF38:40:2091:1:1:1:0:1 61624 1153
firmware version: 5.5.48
slave mode:     no
```

- Use the **install-firmware check** command to determine the available WPAN firmware version integrated in the CGR image:

```
Router# config t
Enter configuration commands, one per line. End with CNTL/Z.
Router(config)# interface wpan 4/1
Router(config-if)# install-firmware check
WPAN firmware version 5.5.48 is to be installed when executing "install-firmware release"
```

Upgrading WPAN firmware

There are two ways to upgrade the WPAN firmware:

- Upgrade from the current firmware (if older) to an integrated WPAN release firmware version.
- Upgrade from the current firmware to a WPAN firmware copied to the CGR flash.

Upgrading to the Release Firmware

To upgrade the WPAN module to the firmware version integrated in the CGR image, follow these steps:

Procedure

Step 1 Install the release firmware:

Example:

```
Router(config-if)# install-firmware release
Firmware upgrade starting. This may take several minutes. Please do not interrupt.
.....
Installed the WPAN 5.0 firmware successfully (94 sec).
Please reload the WPAN module in slot 4!!
```

Step 2 Power down the WPAN module:

Example:

```
Router# config t
Router(config)# hw poweroff 4
```

Step 3 Wait for WPAN power-down messages, and then wait another 60-90 seconds. Then, power up the module:

Example:

```
Router(config)# no hw poweroff 4
```

- Step 4** Wait for WPAN power-up messages, and then wait at least 500 seconds before proceeding with any task on a WPAN under reload. Then, check WPAN status and hardware version:

Example:

```
Router# show ip interface brief | inc Wpan
Wpan4/1 unassigned YES unset up up
Router# show wpan 4/1 hardware version
firmware version: 5.5.48, apps/bridge, master, 4b89e37, Apr 4 2014
```

Upgrading to a non-integrated WPAN firmware

You can upgrade to a custom WPAN firmware other than the one integrated in current CGR image. The appropriate WPAN firmware image must be copied and available on the CGR flash in the root directory.

To upgrade the WPAN to a non-integrated, custom firmware, follow these steps:

Procedure

- Step 1** Install the non-integrated firmware:

Example:

```
Router(config-if)# install-firmware <firmware-filename>
Firmware upgrade starting. This may take several minutes. Please do not interrupt.
.....
```

- Step 2** Power down the WPAN module:

Example:

```
Router# config t
Router(config)# hw poweroff 4
```

- Step 3** Wait for WPAN power-down messages, and then wait another 60-90 seconds. Then, power up the module:

Example:

```
Router(config)# no hw poweroff 4
```

- Step 4** Wait for WPAN power-up messages, and then wait at least 500 seconds before proceeding with any task on a WPAN under reload. Then, check WPAN status and hardware version:

Example:

```
Router# show ip interface brief | inc Wpan
Wpan4/1 unassigned YES unset up up
Router# show wpan 4/1 hardware version
firmware version: 5.5.48, apps/bridge, master, 4b89e37, Apr 4 2014
```

Related Documentation

Consult the following resources for related information about the Connected Grid WPAN Module for technical assistance.

Hardware Overview and Installation

- Cisco Connected Grid Module Guides
<http://www.cisco.com/go/cgmodules>
- *Cisco CGR 1240 Hardware Installation Guide*
<http://www.cisco.com/go/cgr1000-docs>
- *Cisco CGR 1120 Hardware Installation Guide*
<http://www.cisco.com/go/cgr1000-docs>
- *Cisco Field Network Director documentation*
<https://www.cisco.com/c/en/us/support/cloud-systems-management/iot-field-network-director/tsd-products-support-series-home.html>

Supported Cisco Antennas and Accessories

Cisco CGR 1000 and 2000 Series Connected Grid Antennas Guides

http://www.cisco.com/en/US/docs/routers/connectedgrid/antennas/installing/cg_antenna_install_guide.html

Regulatory, Compliance, and Safety Information

Cisco Network Modules and Interface Cards Regulatory Compliance and Safety Information

<http://www.cisco.com/en/US/docs/routers/access/interfaces/rcsi/IOHrcsi.html>

Obtaining Documentation and Submitting a Service Request

For information on obtaining documentation, submitting a service request, and gathering additional information, see the monthly What's New in Cisco Product Documentation, which also lists all new and revised Cisco technical documentation, at:

<http://www.cisco.com/en/US/docs/general/whatsnew/whatsnew.html>

Subscribe to the What's New in Cisco Product Documentation as an RSS feed and set content to be delivered directly to your desktop using a reader application. The RSS feeds are a free service. Cisco currently supports RSS Version 2.0.

This document is to be used in conjunction with the documents listed in [Related Documentation](#), on page 84.

REVIEW DRAFT - CISCO CONFIDENTIAL



Americas Headquarters
Cisco Systems, Inc.
San Jose, CA 95134-1706
USA

Asia Pacific Headquarters
CiscoSystems(USA)Pte.Ltd.
Singapore

Europe Headquarters
CiscoSystemsInternationalBV
Amsterdam,TheNetherlands

Cisco has more than 200 offices worldwide. Addresses, phone numbers, and fax numbers are listed on the Cisco Website at www.cisco.com/go/offices.

© 2020 Cisco and/or its affiliates. All rights reserved.