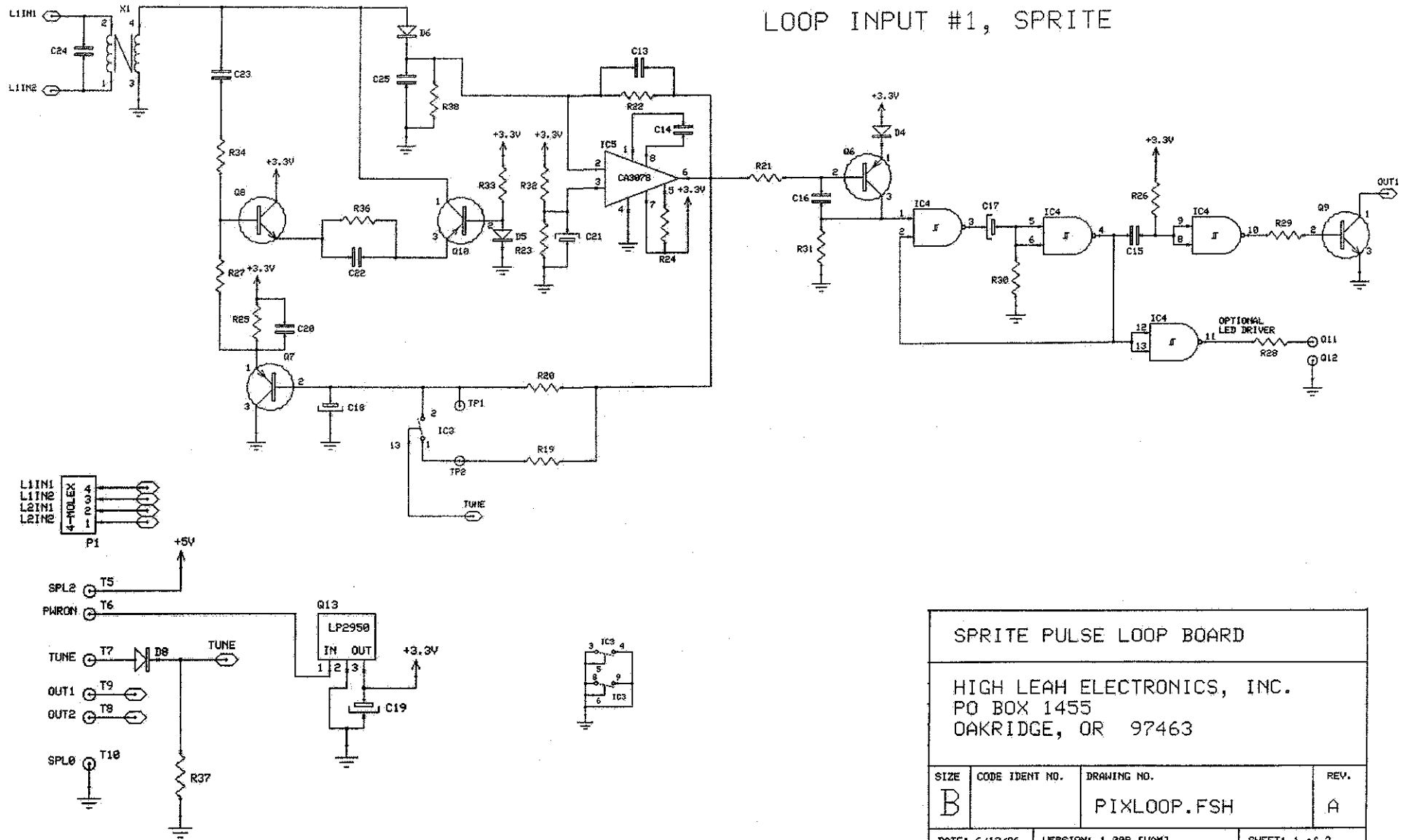


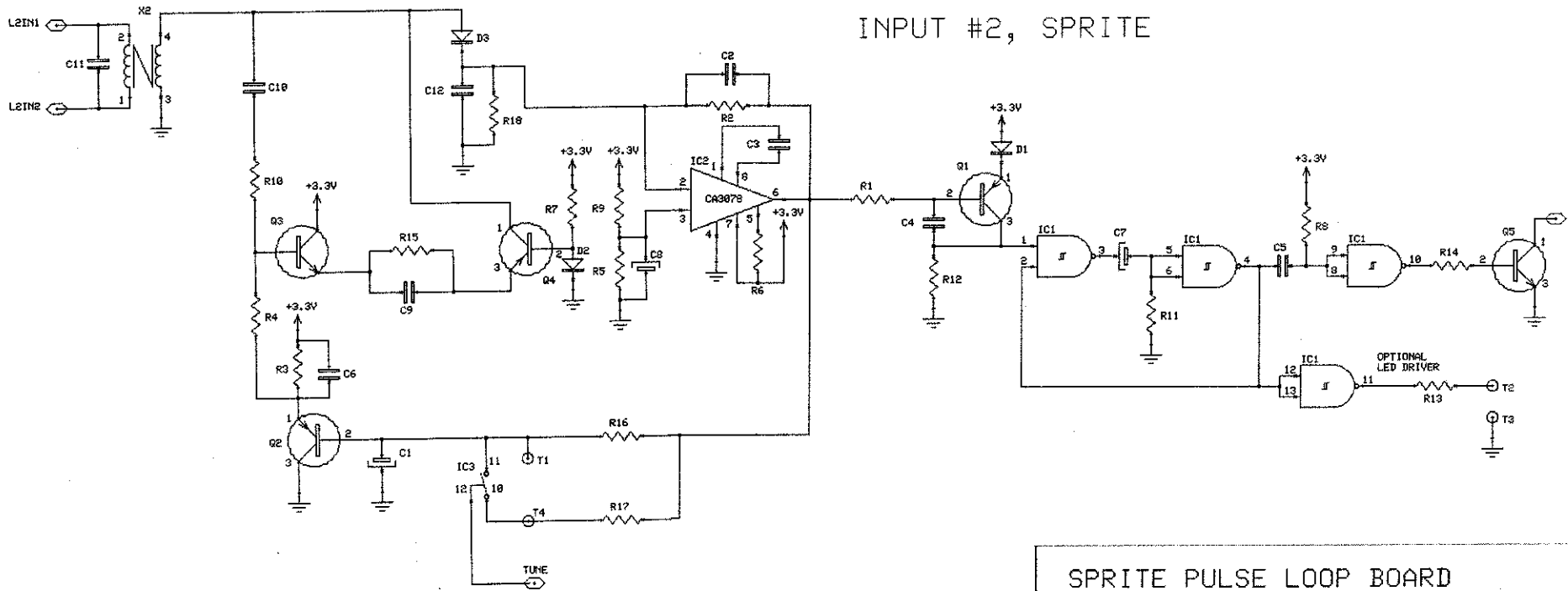
EXHIBIT F – Schematics

FCC ID 070-SPR

LOOP INPUT #1, SPRITE



SPRITE PULSE LOOP BOARD			
HIGH LEAH ELECTRONICS, INC. PO BOX 1455 OAKRIDGE, OR 97463			
SIZE B	CODE IDENT NO.	DRAWING NO. PIXLOOP.FSH	REV. A
DATE: 6/12/96	VERSION: 1.00P [HAM]	SHEET: 1 of 2	



SPRITE PULSE LOOP BOARD			
HIGH LEAH ELECTRONICS, INC. PO BOX 1455 OAKRIDGE, OR 97463			
SIZE	CODE IDENT NO.	DRAWING NO.	REV.
B		PIXLOOP.FSH	A
DATE: 6/12/96	VERSION: 1.00P [NAM]	SHEET: 2 of 2	