

naviPlay™ Bluetooth® Stereo Kit for iPod®

naviPlay Bluetooth iPod Adapter NIA.S10

naviPlay Bluetooth Stereo Remote NSR.H100

User's Guide



Contents

Introduction	5
<i>About Bluetooth</i>	5
<i>Product Requirements</i>	5
Getting Started With the naviPlay iPod Adapter	6
Getting Started With the naviPlay Stereo Remote	8
Listening to Music With the naviPlay Bluetooth Stereo Kit	9
<i>Setting Up the naviPlay Bluetooth Stereo Kit</i>	9
<i>Listening to Music Wirelessly</i>	10
<i>Turning Off the naviPlay iPod Adapter and Remote</i>	11
Battery Charging	12
<i>Charging the naviPlay Stereo Remote</i>	12
<i>Charging the naviPlay iPod Adapter</i>	12
Using the naviPlay iPod Adapter With Other Bluetooth Devices	14
Using the naviPlay Stereo Remote With Other Bluetooth Music Devices	15
Using the naviPlay iPod Adapter as a Dock for the iPod	16
Upgrading Firmware	17
<i>Upgrading Firmware from a Bluetooth-Enabled Windows Computer</i>	17
<i>Upgrading Firmware from a Bluetooth-Enabled Macintosh Computer</i>	17
Troubleshooting	19
Appendix: Technical Specifications	21
<i>naviPlay Bluetooth iPod Adapter Model: NIA.S10</i>	21
<i>naviPlay Bluetooth Stereo Remote Model: NSR.H100</i>	22
<i>AC/DC Power Adapter</i>	23
Important Safety Information	24

<i>AC/DC Adapter Power Supply</i>	24
<i>Lithium Battery Safety Precautions</i>	25
<i>Exposure to Radio Frequency Radiation</i>	25
<i>FCC Part 15 Radio Frequency Interference Statement</i>	26
<i>Industry Canada ICES-003 Emission Compliance Statement</i>	26
<i>European Radio Approval Information</i>	26
CE Declaration of Conformity	27

© Copyright 2004 TEN Technology, Inc. All rights reserved.

TEN Technology word mark, TEN Technology logo, naviPlay, and naviPod are trademarks of TEN Technology, Inc., registered in the US and other countries. Apple, the Apple logo, and iPod are trademarks of Apple Computer, Inc., registered in the US and other countries.

Bluetooth is a trademark owned by Bluetooth SIG, Inc. USA, and licensed to TEN Technology, Inc.

All other products or name brands are trademarks of their respective holders.

Portions copyright © 2003-2004

Bluetooth Stereo headphone (iWISH) and adapter (iWISA) reference design licensed from Impulsesoft Pvt. Ltd. iWISH and iWISA are trademarks of Impulsesoft Pvt. Ltd.

Introduction

Congratulations on acquiring the TEN Technology naviPlay Bluetooth Stereo Kit for iPod – the first wireless Bluetooth product made specifically for the Apple iPod and iPod mini. The naviPlay iPod adapter and the naviPlay stereo remote together let you listen to music on your iPod wirelessly using Bluetooth at near-CD audio quality. In addition to supporting stereo audio, the naviPlay Remote provides wireless control of the iPod, including play/pause, next track and previous track, and volume. The naviPlay iPod adapter and the naviPlay Remote in the same naviPlay Kit are pre-paired at the factory to connect to each other automatically.

Bluetooth

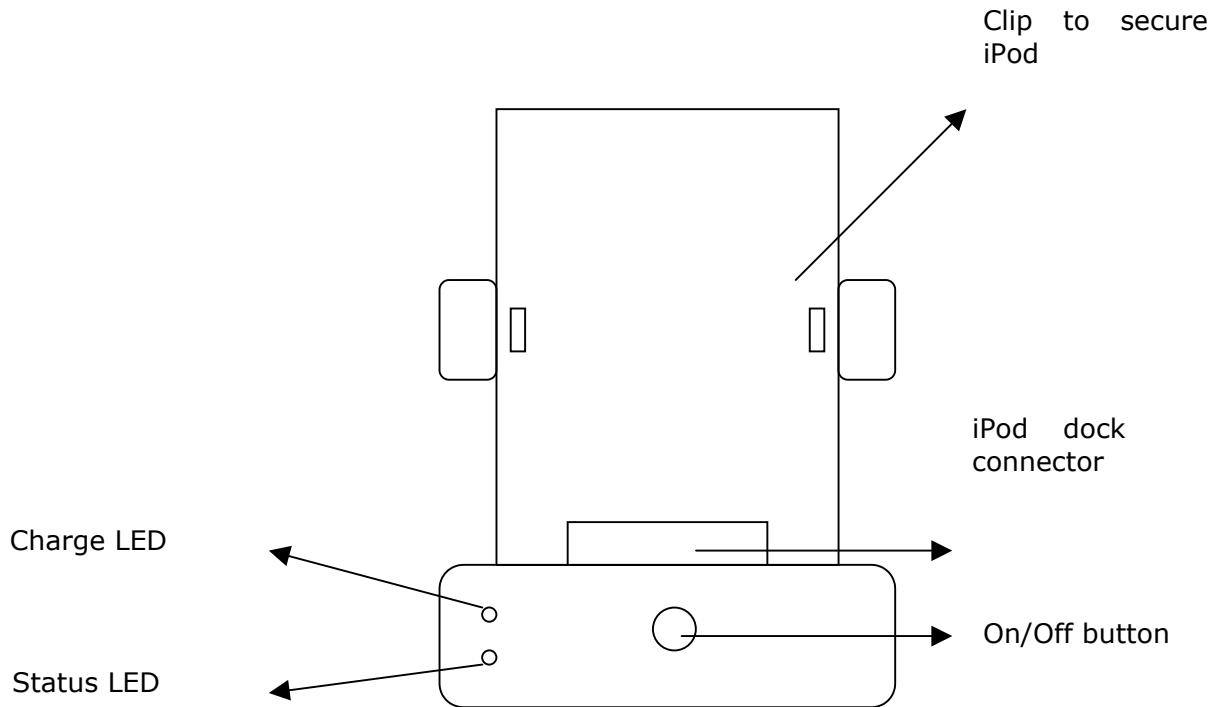
The TEN Technology naviPlay Bluetooth iPod Adapter uses Bluetooth technology to provide near-CD-Audio quality (44.1 and 48 KHz, 16-bit) stereo audio streaming wirelessly from the Apple iPod to the naviPlay Remote. Bluetooth is a radio technology for short-range wireless mobility, eliminating cables, wires, or cords between enabled devices, such as mobile phones and headphones, and works over a range of 10 to 100 meters. Bluetooth facilitates fast, secure transmissions of both audio and data, even when the devices are not in line of sight of each other. The naviPlay devices are Bluetooth version 1.2 compliant, and support the Advanced Audio Distribution profile (A2DP) and Audio Video Remote Control profile (AVRCP).

Requirements

The naviPlay iPod Adapter requires an Apple iPod equipped with a Dock Connector – 3rd generation iPod, 4th generation Click Wheel iPod, or iPod mini models. There is no additional software or drivers to install. The naviPlay remote can be connected to standard stereo headphones, powered speakers, or stereo systems with a 3.5mm audio plug.

Getting Started With the naviPlay iPod Adapter

Figure 1: TEN naviPlay iPod adapter



Recommendation: Please charge the naviPlay iPod Adapter for at least 1 hour before first using.

Charging: Connect the Firewire iPod cable (included with the Apple iPod) to the dock connector on the back of the naviPlay iPod Adapter. Connect the Firewire plug to the included AC power supply, and connect the AC power supply to a standard electrical outlet. The Charge LED will glow constant red when charging and turn off once the battery is fully charged.

Set Up: Select the appropriate clip for your iPod model. The clips are marked on the back to identify which iPod model it is made for. Attach clip to naviPlay iPod Adapter.

Attach iPod: Slide your iPod into the clip. Before seating your iPod to the dock connector, adjust the battery pack position to align the dock connector – you may have to push the battery pack backwards or forwards relative to the base of the naviPlay iPod Adapter.

Power on: Push the On/Off button once to turn on the naviPlay iPod Adapter. You should see the Status LED blink.

Getting Started With the naviPlay Remote

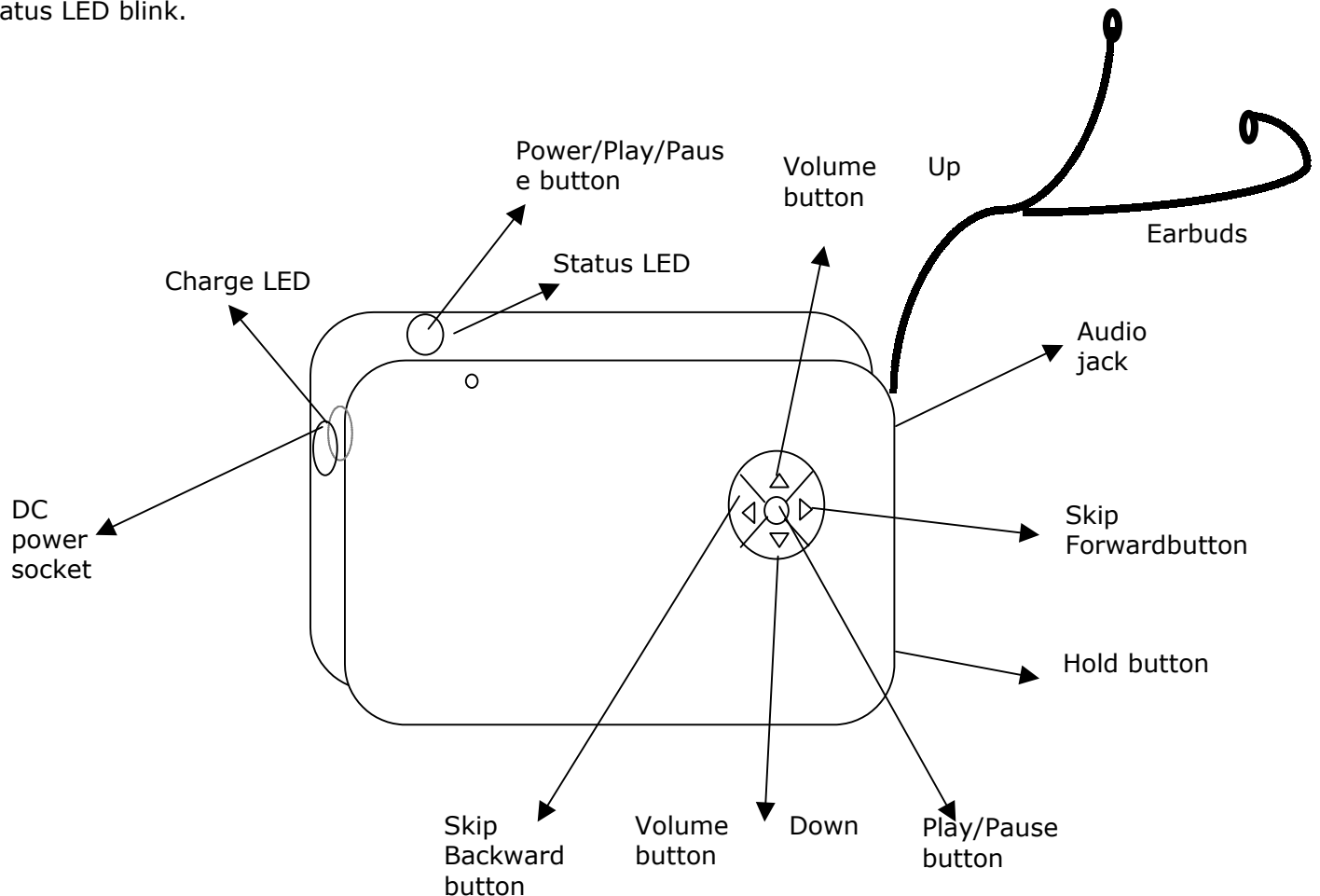
Figure 2: TEN naviPlay Remote

Recommendation: Please charge the naviPlay Remote for at least 1 hour before first using.

Charging: Connect the DC plug cable (attached to the included AC Power Supply) to the naviPlay Remote's DC jack (opposite end from headphone jack). Connect the AC power supply to a standard electrical outlet. The Charge LED around the DC jack will glow constant red when charging and turn off once the battery is fully charged.

Attach Headphones or speakers: Connect your headphones, powered speakers or stereo system to naviPlay Remote's headphone jack.

Power on: Push the On/Off button once to turn on the naviPlay iPod Adapter. You should see the Status LED blink.



Listening to Music With the naviPlay Bluetooth Stereo Kit

This section explains how to set up the naviPlay Kit, listen to music, and turn off the naviPlay iPod Adapter and naviPlay Remote.

Setting Up the naviPlay Kit

Make sure your iPod is charged and fully functional.



To perform these steps, you should know how to use your iPod. Refer to the iPod user manual.

To set up the naviPlay iPod Adapter:

1. Select the clip that fits your iPod model and attach the clip onto the naviPlay iPod adapter.

< Add sketch showing how to fit the slide-snap clip onto the adapter >

2. Slide the iPod into the naviPlay iPod Adapter as shown in Figure 3.

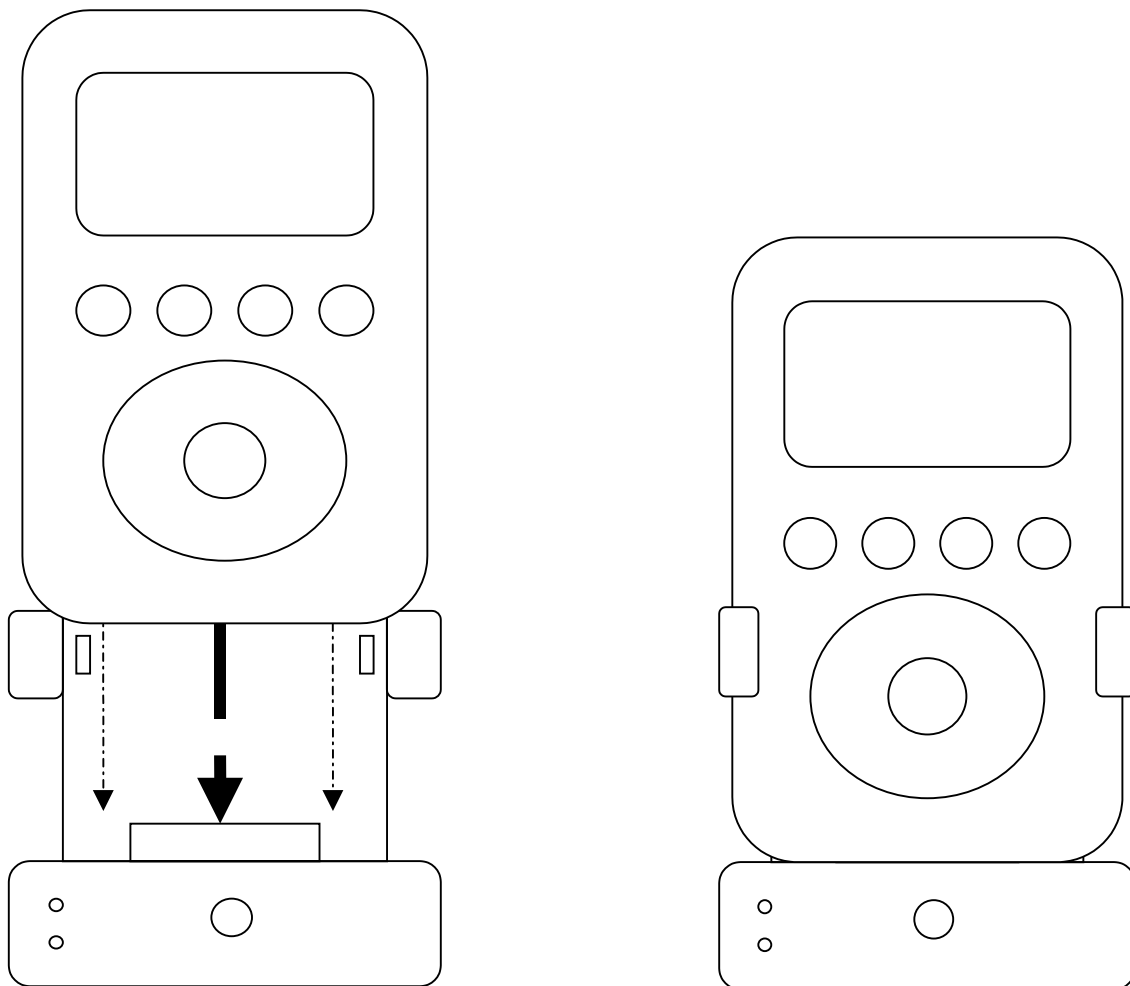


Figure 3: iPod connected to naviPlay iPod adapter

3. Press the Power button on the naviPlay Remote.

The status LED should blink green.

If external headphones are plugged into the headphone socket of the naviPlay Remote when it is first powered on, you will hear startup chimes.

4. Press the Power button on the naviPlay iPod adapter.

The naviPlay iPod adapter automatically tries to connect to the naviPlay Remote. The status LED should alternatively blink amber and green.

When the status LED on each device blinks slowly in green, the iPod adapter and naviPlay Remote have successfully connected.

If the iPod is in Play mode, music automatically streams from the iPod to the naviPlay Remote.

5. If the iPod is in Pause mode, press the Play button on the naviPlay Remote to start music streaming.
6. Plug in the external headphones into the headphone socket on the naviPlay Remote to listen to the music being streamed from the iPod.

Playing Music

When the naviPlay iPod adapter is plugged into the iPod and turned on, you can control the iPod with the naviPlay Remote or with the iPod. The naviPlay Remote controls are similar to most remote controls.

(To see a picture of each control, see "Getting Started With the naviPlay Remote")

To perform this action...	Do this step
Play the next song	Press the Next Track button.
Play the current song again	Press the Previous Track button once.
Play the previous song	Press the Previous Track button twice.
Play music	Press the Play/Pause button. You can also press the Power button.
Pause the music	While in Play mode, press the Play/Pause button again. You can also press the Power button.
Turn the volume up	Press and release the Volume Up button to increase the volume by one level. Hold down the Volume Up button to increase the volume level gradually. There are 20 different volume level settings between maximum and minimum (mute).
Turn the volume down	Press and release the Volume Down button to increase the volume by one level. Hold down the Volume Down button to increase the volume level gradually.
Disable buttons on the naviPlay Remote	Slide the Hold button toward the top of the naviPlay Remote (toward the headphone jack).

Turning Off the naviPlay

To turn off either adapter, press the Power button for more than three seconds. When the status LED glows amber, you can release the button. The naviPlay iPod adapter also turns itself off when it has been removed from the iPod for more than three minutes.

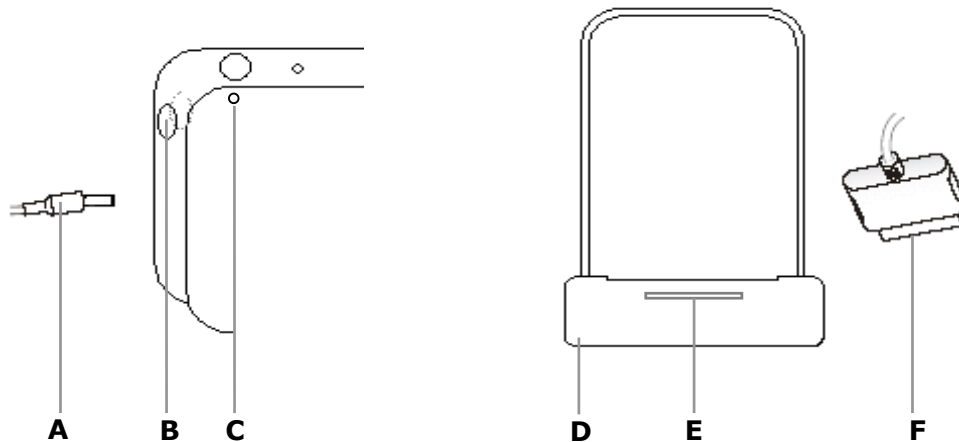
After either naviPlay device is turned off, the other device's status LED blinks amber and green automatically. After three minutes of inactivity, the other device turns itself off automatically to save power. The naviPlay iPod adapter puts the iPod in Sleep mode when it turns off. To save power, the iPod screen goes blank on turning off the naviPlay iPod adapter. Touch any button on the iPod to wake it up.

Charging the naviPlay Battery

This section explains how to charge the batteries for both naviPlay devices.

A fully charged battery should provide seven hours of continuous usage. When battery power is low, the status LED on either adapter blinks slowly in red.

Figure 4: DC jack on the naviPlay Remote and dock connector on iPod adapter



Charging the naviPlay Remote Battery

To charge the battery:

1. Plug in the power adapter jack (A) into the power socket on the naviPlay Remote (B).
2. Plug in the adapter to a wall socket.

The charging LED glows red continuously while charging. The battery will be about 80 percent charged in an hour and fully charged in about three and a half hours. If the naviPlay Remote is not connected to the iPod adapter, the charging LED turns off when the battery is fully charged.

Charging the iPod Adapter Battery

The naviPlay iPod adapter has a built-in rechargeable lithium-polymer battery and does not draw power from the iPod. The battery life of the iPod is not affected by using the naviPlay iPod adapter.

The power socket on the iPod adapter is located on the back side. To charge the battery:

1. Plug in the charger (F) into the iPod adapter power socket (E).
2. Turn the charger on.

This action charges iPod as well as the adapter, if the iPod is docked in the adapter. The charging LED glows red continuously while charging. The iPod adapter battery is about 80 percent charged in

an hour and a half and fully charged in four hours. If the iPod adapter is not connected to the naviPlay Remote, the charging LED turns off when the batter is fully charged.

Using the iPod Adapter With Other Bluetooth Devices

The naviPlay iPod adapter and the naviPlay Remote are automatically configured at the factory to connect to each other. Although you can use the naviPlay iPod adapter with other Bluetooth stereo headphones, you will get best performance with the naviPlay Remote or other TEN Technology naviPlay devices. Visit the TEN Technology web site for the latest information on compatible Bluetooth-enabled devices: <http://www.tenttechnology.com/bluetooth/>

To use the TEN Technology naviPlay iPod Adapter with other Bluetooth-enabled headphones that support the Advanced Audio Distribution profile (A2DP), you must first "pair" the two devices.

To use the naviPlay iPod adapter with different Bluetooth stereo headphones:

1. Turn off the naviPlay iPod adapter and the Bluetooth headphones.
2. Put the headphones in discoverable mode.

See the documentation that came with your headphones for details on discoverable mode.

3. Place the headphones near the naviPlay iPod adapter.

Make sure that no other Bluetooth-enabled headphones are turned on and in discoverable mode nearby.

4. Press the Power button on the naviPlay iPod adapter and hold it down for at least eight seconds, or until the status LED alternates quickly blinking amber and green. This initiates the pairing process on the naviPlay iPod adapter.

The naviPlay iPod adapter will now search for all the Bluetooth-enabled devices in the area. The iPod adapter configures itself to connect to the nearest headphones that it discovers.

When the connection process is complete, the status LED blinks green slowly for five seconds.

If the connection process fails, the status LED glows red continuously for five seconds. The adapter continues to connect to the previously configured pair of headphones.

Using the naviPlay Remote With Other Bluetooth Music Devices

The naviPlay iPod adapter and the naviPlay Remote are automatically configured to connect to each other. However, you can connect the naviPlay Remote to any Bluetooth-enabled music device (such as a PC, PDA, MP3 player, or mobile phone) that supports the Advanced Audio Distribution Profile (A2DP).

Although you can use the naviPlay Remote with other Bluetooth music devices, you will get best performance with naviPlay iPod adapter.

To use the naviPlay Remote with different Bluetooth music devices:

1. Turn off the naviPlay Remote.
2. Press the Power button on the naviPlay Remote and hold it down for eight seconds, or until the status LED alternates quickly blinking amber and green.

This puts the naviPlay Remote in discoverable mode, so that other Bluetooth devices can discover and connect to it.

The blinking status LED indicates that the naviPlay Remote is waiting for connection from a Bluetooth-enabled music device.

3. Put the Bluetooth music device in pairing mode.

See the documentation that came with your Bluetooth music device for details.

4. Place the naviPlay Remote near the music source device.

Make sure that no other Bluetooth-enabled music devices are turned on.

When the connection process is complete, the status LED blinks green slowly.

If the connection process fails, the status LED glows red continuously for five seconds. The naviPlay Remote continues to connect to the previously configured music source.

Using the naviPlay iPod Adapter as an iPod Dock

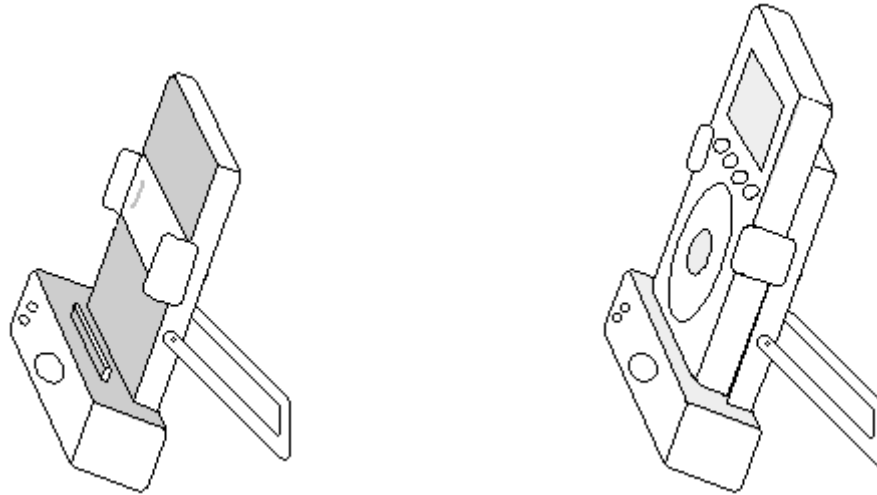


Figure 5: naviPlay iPod Adapter used as iPod dock

To use the iPod adapter as an iPod dock, slide the iPod into the iPod adapter as usual and pull out the stand provided on the iPod adapter. You can charge the iPod or download music by connecting the iPod dock connector cable from your computer to the dock connector socket on the iPod adapter. When connected to a computer, Bluetooth music streaming does not occur, and the naviPlay iPod adapter functions as a standard iPod dock.

Upgrading Firmware

You can upgrade the firmware on the naviPlay iPod adapter and naviPlay Remote whenever a new version is available from the TEN Technology Web site (www.tentechnology.com). To upgrade firmware “over-the-air” via Bluetooth, you need a Bluetooth-enabled PC or Macintosh that supports the Object Push Profile (OPP).

Upgrading Firmware on a Bluetooth-Enabled PC

See the Bluetooth documentation for your PC.

Upgrading Firmware on a Bluetooth-Enabled Macintosh

To upgrade firmware over the Web, you need Mac OS X 10.2.8, 10.3.1, or 10.3.2.

To upgrade the firmware:

1. Download the firmware file from the www.tentechnology.com Web site and save it on your hard disk.
2. Click the Bluetooth icon in the status bar and select Send File.
3. Browse and select the firmware file that you just downloaded.
4. Click Send.
5. Turn on the adapter that you are upgrading.
6. Press and hold the power button for eight seconds to put the adapter in firmware upgrade mode.

The status LED shows quick double-blinks in amber as soon as the adapter is in firmware upgrade mode. Release the power button after you see the amber blinks.

7. Click the Search button on the your computer to find the adapter.

If you are upgrading firmware for the naviPlay Remote, you see the name *naviPlayHP* in the list of devices. If you are upgrading firmware for the naviPlay iPod adapter, you see the name *naviPlay*.

8. After the adapter is discovered and displayed in the list, select the adapter from the list of devices.
9. Click Send.

Before clicking Send to start the firmware upgrade process, ensure that the device is still in firmware upgrade mode. (The status LED should double-blink quickly in amber.)

If the device is not in firmware upgrade mode, turn on the device and press and hold the power button for ten seconds to put it in firmware upgrade mode.

When the firmware upgrade has started, the status LED double-blinks green slowly. After the firmware upgrade is complete, the status LED glows green continuously for five seconds. This indicates a successful firmware upgrade.

If the firmware upgrade fails, the status LED glows red continuously for five seconds, and then the adapter switches off. If the adapter is then switched on, it goes into firmware upgrade mode

automatically (you see amber LED double blinks), until the firmware upgrade is successfully completed.

Important! If the upgrade fails, the previous firmware has still been erased, and new firmware must be uploaded using this procedure before the adapter can operate normally.

Troubleshooting

This section explains common problems and solutions. If you don't see an answer here, check www.tenttechnology.com/support for the most current troubleshooting tips.

Both naviPlay devices are on, but there is no audio.

The naviPlay Remote and the naviPlay iPod adapter do not connect.

1. Ensure that your naviPlay iPod adapter and naviPlay Remote came in the same kit or retail package and are paired – the two are pre-paired at the factory for your convenience. Once paired, the naviPlay iPod adapter and the naviPlay Remote are configured to connect only to each other.
2. You can follow the procedure to pair the two naviPlay devices to ensure that they are paired to each other. [<insert link to pairing section>](#)

If both the devices were bought as a package and still do not connect, go to www.tenttechnology.com/supprt and contact support with the details of the purchase.

3. Verify that both the iPod adapter and naviPlay Remote are within a few meters of each other and are switched on.

Music playback mutes suddenly.

Music mutes when the naviPlay Remote and iPod adapter are farther than about 26 feet (eight meters) apart. This distance becomes smaller if the adapters don't have a clear line of sight between them. Why does this happen? Outside of the playback range, the "throughput monitor" is activated, and music playback is muted to avoid jitters and static. The playback range also depends on the amount of activity and interference in the 2.4 GHz spectrum, as well as the presence of materials that absorb or reflect signals.

Devices are connected, but I don't hear anything on the naviPlay Remote.

1. Check that the iPod has music files stored on it and is able to play music. This can be verified by plugging in your headphones directly into the iPod headphone jack. (If the iPod doesn't work with the headphones plugged into it, contact Apple support.)
2. Check the volume level on the headphones or speakers and increase it if necessary.

Glossary

- Paired** Two Bluetooth-enabled devices that have successfully gone through the process of authorizing a secure connection between them. Once paired, the two devices will be able to automatically connect to each other for subsequent use.
- Pairing** The process of identifying and authorizing connections between two Bluetooth-enabled devices.
- Connected** Two Bluetooth-enabled devices that are able to communicate and function as intended.

Appendix: Technical Specifications

Model: NIA.S10

TEN Technology naviPlay Bluetooth iPod Adapter

General Radio

Carrier Frequency: 2.4 ~ 2.483GHz
Class 2 Radio

Wireless Range

Outdoors: 3–10 meters (9–30 feet)
Indoors: 3–10 meters (9–30 feet)

Actual range depends on environmental factors: orientation of devices relative to each other, obstructions and enclosures, radio frequency noise, and interference.

Bluetooth

Bluetooth 1.2-compliant
Advanced Audio Distribution Profile (A2DP)
Audio Video Remote Control Profile (AVRCP)

Audio Codec

SBC

Audio Input

Line-level analog (from Apple iPod)

Battery

Built-in, not user serviceable
Rechargeable lithium-polymer 3.7 V 540 mAh
7.5 hours continuous operation (at maximum volume and 2 meters range)

Power Consumption

220mW

Power Input

Use only included SFEC ACDL-04 power AC/DC adapter or Firewire cable for recharging and operation.
12 V 1.0 A

Temperature

Operating: 0°–5° C
Storage: -20°–50° C

Weight

58 grams

Dimensions (Overall)

85mm x 66mm x 27.5mm

Model: NSR.H100

TEN Technology naviPlay Bluetooth Stereo Remote

General Radio

Carrier Frequency: 2.4 ~ 2.483GHz
Class 2 Radio

Wireless Range

Outdoors: 3–10 meters (9–30 feet)
Indoors: 3–10 meters (9–30 feet)

Actual range depends on environmental factors: orientation of devices relative to each other, obstructions and enclosures, radio frequency noise, and interference.

Bluetooth

Bluetooth 1.2-compliant
Advanced Audio Distribution Profile (A2DP)
Audio Video Remote Control Profile (AVRCP)
Headset Profile (HSP)*
Handsfree Profile (HFP)*
* Not in initial product release

Audio Codec

SBC

Audio Output

Near CD-quality (44.1 KHz, 16-bit)
Frequency response: 20Hz–20KHz
Total harmonic distortion: 0.19% at -1dBFS, 0.04% at -20dBFS
Signal-to-noise: 76dB

Audio Input

Built-in microphone
External headset microphone

Battery

Built-in, not user serviceable
Rechargeable lithium-polymer 3.7 V 540 mAh
8 hours continuous operation (at maximum volume and 2 meters range)

Power Consumption

220 mW

Power Input

Use only included SFEC ACDL-04 power AC/DC adapter for recharging and operation.
5V 0.6A 3W

Temperature

Operating: 0°–35° C
Storage: -20°–50° C

Weight

46 grams

Dimensions (Overall)

66.5mm x 48.5mm x 16.5mm

AC/DC Power Adapter

Model: SFEC ACDL-04

Input

90 VAC – 264 VAC, 47 Hz/63 Hz, 1.5 A

Output

5 VDC/0.6 A

12 VDC/1.0A

Weight

180 grams with USA power cable

Temperature

Operating: 0°–35° C

Storage: -20°–50° C

Important Safety Information

Read these instructions before operating.
Follow all instructions.
Heed all warnings.
Keep these instructions for future reference.

AC/DC Adapter Power Supply

Use only the AC/DC adapter that was supplied with your TEN Technology naviPlay Bluetooth devices. Do not use a substitute AC/DC adapter. Using an incorrect AC/DC adapter causes damage to the product and voids warranty. This product can be used only with the following external AD/DC adapters:

- Sunfone model ACDL-04.
- Other AC/DC adapter models as supplied by TEN Technology.

Caution: Risk of electric shock. Do not tamper with, modify, open or disassemble.
Do not use near water or in wet environment.
Do not immerse in water or any liquid.
Clean only with dry cloth.

Use only as directed in this user manual or as instructed by manufacturer.

Do not install or use near any heat sources such as radiators, heat registers, stoves, or other apparatus (including amplifiers) that produce heat.

Do not defeat the safety purpose of the polarized plug. A polarized plug has two blades with one wider than the other. The wide blade is provided for your safety. If the provided plug does not fit into your outlet, consult an electrician for replacement of the obsolete outlet.

Protect the power cord from being walked on or pinched, particularly at plugs, convenience receptacles, and the point where they exit from the power supply.

Use only cables and accessories specified for use with the power supply.

Unplug the power supply when unused for long periods of time or during lightning storms.

Servicing is required when the power supply has been damaged in any way, such as if the power supply cord or plug is damaged, if liquid has been spilled, if objects have fallen onto the power supply, if the power supply has been exposed to rain or moisture, if the power supply does not operate normally, or if the power supply has been dropped.

Refer all servicing to qualified service personnel.

Disconnect from the mains by pulling on the mains power plug, not the cord.

WARNING: TO REDUCE THE RISK OF ELECTRIC SHOCK, DO NOT EXPOSE THE POWER SUPPLY TO RAIN OR MOISTURE.

Lithium Battery Safety Precautions

For the safe use of lithium-polymer and lithium-ion batteries, always follow the instructions provided below. Improper handling of lithium batteries may result in injury or damage from electrolyte leakage, heating, ignition, or explosion.

Danger:

- Never use the batteries with anything other than specifically designed equipment.
- Always use the battery charger provided with the device.
- Never impact, pierce, or crush the battery.
- Handle a damaged or leaking battery with extreme care. If you come in contact with the electrolyte, wash the exposed area with soap and water. If it contacts the eye, flush the eye with water for 15 minutes and seek medical attention.
- When discarding a battery, contact your local waste disposal provider regarding local restrictions on the disposal or recycling of batteries.
- Never disassemble or modify the battery. The battery contains a circuit designed to enhance safety. Damaging this circuit may cause overheating, fire, or bursting.
- Never expose or charge a battery under high-temperature conditions, such as near a fire or in the direct sunlight. If the ambient temperature is too high, the protection circuit may be actuated, preventing further charging, or damaged.
- Never short-circuit the battery by connecting the positive and negative terminals with a metal material. Do not store or carry the battery where it could come into contact with metal objects such as a key chain or necklace.
- Never allow the battery to get wet or be immersed in water.
- Do not place the battery in a microwave oven or high-pressure container.
- Stop charging if the battery is not charged after the prescribed charge time.
- If leakage of the electrolyte occurs, or if there is an offensive odor, immediately keep the battery away for any source of fire or spark.
- If, during use, charging, or storage, you become aware of any abnormal phenomena, such as odor, discoloration, or deformation, remove the battery from the device or charger and stop using.

Exposure to Radio Frequency Radiation

The radiated output power of the TEN Technology naviPlay Bluetooth wireless radio Class 2 is far below the FCC, Industry Canada, and European Union radio frequency exposure limits. Nevertheless, the wireless radio shall be used in such a manner that the potential for human contact during normal operation is minimized. The internal wireless radio operates within guidelines found in radio frequency safety standards and recommendations, which reflect the consensus of the scientific community.

The level of emitted energy emitted is far less than the electromagnetic energy emitted by wireless devices such as mobile phones. However, the use of wireless radios may be restricted in some situations or environments, such as aboard airplanes. If you are unsure of restrictions, you are encouraged to ask for authorization before turning on the wireless radio.

The FCC, Industry Canada and European Union have set a general guideline of 20 centimeters (8 inches) separation between the device and the body, for use of a

wireless device near the body. This device should be used more than 20 centimeters (8 inches) from the body when wireless devices are on.

FCC Part 15 Radio Frequency Interference Statement

This device complies with Part 15 of the FCC rules. Operation is subject to the following two conditions:

- This device may not cause harmful interference.
- This device must accept any interference received, including interference that may cause undesired operation.

Note: This equipment has been tested and found to comply with the limits for a Class B digital device, pursuant to Part 15 of the FCC rules. These limits are designed to provide reasonable protection against harmful interference in a residential installation. This equipment generates, uses, and can radiate radio frequency energy and, if not installed and used in accordance with the instructions, may cause harmful interference to radio communications. However, there is no guarantee that interference will not occur in a particular installation. If this equipment does cause harmful interference to radio or television reception, which can be determined by turning the equipment off and on, the user is encouraged to correct the interference by one or more of the following measures:

- Reorient or relocate the receiving antenna.
- Increase the separation between the equipment and the receiver.
- Connect the equipment into an outlet that is on a circuit different from the receiver.
- Consult the dealer or an experienced radio/TV technician for help.

CAUTION:

Pursuant to Part 15.21 of the FCC rules for intentional or unintentional radiators, any changes or modifications not expressly approved by the party responsible for compliance could void the user's authority to operate this equipment.

Industry Canada ICES-003 Emission Compliance Statement

This Class B digital apparatus meets the requirement of the Canadian Interference-Causing Equipment Regulations.

Cet appareil numérique de la classe B respecte toutes les exigences du règlement sur le matériel brouiller du Canada.

European Radio Approval Information

The TEN Technology naviPlay Bluetooth devices are low-power, wireless communication devices, operating in the 2.4 GHz band, intended for home or office use. The power output of this device is well below the RF exposure limits as set by the European Commission through the R&TTE directive.

The TEN Technology naviPlay Bluetooth devices can be operated in the following European Union and European Economic Area countries: Austria, Belgium, Cyprus, Czech Republic, Denmark, Estonia, Finland, France, Germany, Greece, Hungary, Iceland, Ireland, Italy, Latvia, Liechtenstein, Lithuania, Luxembourg, Malta, the Netherlands, Norway, Poland, Portugal, Slovakia, Slovenia, Spain, Sweden, Switzerland and the United Kingdom.

CE Declaration of Conformity

TEN Technology naviPlay Bluetooth devices are in conformity with the following directives and other normative documents:

R&TTE Directive 1999/5/EC

- ETSI EN 300 328
- ETSI EN 301 489-1
- ETSI EN 301 489-17

Low Voltage Directive (Safety) 73/23/EEC as per EN 60950.

This product is also compliant with the maximum sound pressure level as specified by the EN 50332-2 standards.